

Installation and service manual

Remeha Avanta Plus

Remeha Avanta Plus

- Remeha Avanta Plus 28c
- Remeha Avanta Plus 35c
- Remeha Avanta Plus 39c
- Remeha Avanta Plus 24s



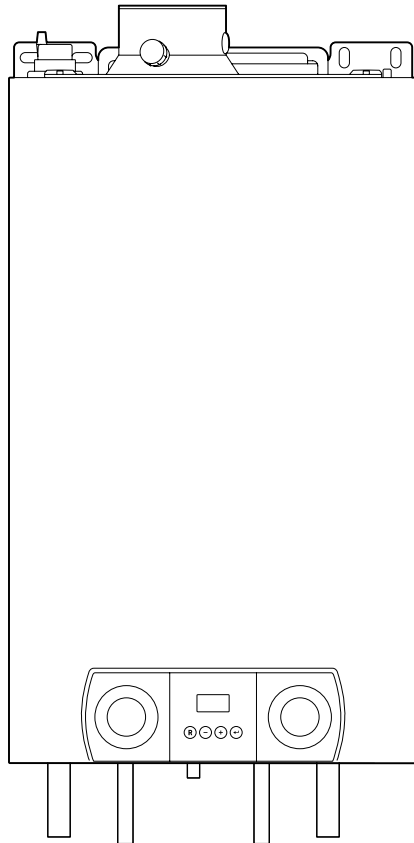
 remeha

INTRODUCTION

1 SAFETY	5
1.1 General safety	5
1.2 Safety during assembly and installation	5
1.3 Safety during installation, inspection and maintenance	5
2 INSTALLATION	7
2.1 Scope of delivery	7
2.2 Mounting the boiler	7
2.2.1 Clearance requirements	7
2.2.2 Dimensions and connection points	8
2.2.3 Mounting the Remeha Avanta Plus	10
2.3 Water-side connections	10
2.3.1 Water flow	10
2.3.2 Circulation pumps	11
2.3.3 Additional guidelines for the domestic and CH water	11
2.3.4 Water treatment	11
2.3.5 Safety valve discharge	12
2.3.6 Expansion vessel	13
2.3.7 Connecting DHW pipes (Combi-type only)	13
2.3.8 Connecting the 'CH return'	14
2.3.9 Connecting 'CH flow'	14
2.3.10 Connecting condensate drain	15
2.3.11 Connecting under floor heating	15
2.4 Gas-side connections	15
2.4.1 Additional guidelines for gas connections	15
2.4.2 Connecting the gas supply	16
2.5 Flue terminal and air supply connections	16
2.5.1 Flue terminal positions	16
2.5.2 Room sealed flue	17
2.5.3 Connecting the flue terminal and air supply	18
2.6 Electrical connection	19
2.6.1 The control unit	19
2.7 Connecting external controls	20
2.7.1 On/off control – room temperature (volt free switching)	22
2.7.2 Time control using an internal or external 230 V clock	23
2.7.3 Connecting a 230 V time clock in combination with a modulating room control	23
2.7.4 Modulating control – room or outside compensation	23
2.7.5 Connecting an outside temperature sensor	24
2.7.6 Connecting the DHW sensor/thermostat	25
2.7.7 Connecting a frost protection device	25
2.7.8 Connecting an external interlock	26
2.7.9 Connecting remote alarm and boiler run indication	26
2.7.10 Connecting a PC/PDA	26
2.8 Wiring diagram	27
2.9 Commissioning	27
2.9.1 Control Panel	27
2.9.2 Additional guidelines for commissioning	27
2.9.3 Putting the boiler into operation	27
2.9.4 Normal start-up procedure	33
2.9.5 Error during the start-up procedure	33
2.9.7 Adjust the boiler according to the system	35
2.9.8 Changing the parameters at service level (with access code)	35
2.9.9 Changing the maximum output (Hi) for CH operation	37
2.9.10 Restore factory settings	39

2.10	Putting the boiler out of operation	39
2.10.1	Boiler with frost protection, during longer periods of non-use	39
2.10.2	Boiler without frost protection, during longer periods of non-use	39
3	INSPECTION AND MAINTENANCE	40
3.1	Inspection	40
3.1.1	Checking the water pressure	41
3.1.2	Checking the flue pipes and air supply pipes for leaks	41
3.1.3	Checking the condensate siphon	42
3.1.4	Checking the ignition electrode	42
3.1.5	Checking the combustion	42
3.2	Maintenance	43
4	ERRORS	49
4.1	General	49
4.2	Error codes	49
4.3	Control stop or shut down	51
4.4	Error memory	51
4.4.1	Error read outs	52
4.4.2	Deleting errors	52
5	SERVICE PARTS	53
5.1	General	53
6	EC DECLARATION	56
7	REGULATIONS	57
7.1	EC regulations	57
7.2	Remeha factory test	57
8	TECHNICAL SPECIFICATIONS AND WORKING PRINCIPLE	58
8.1	Technical data	58
8.2	The boiler components	59
8.3	Working principle	59
8.3.1	Regulating	60
8.3.2	Advanced boiler control ('abc [®] -control)	60
8.3.3	Regulating the water temperature	61
8.3.4	Low flow / water protection	61
8.3.5	High Limit temperature protection	61
9	EFFICIENCY DATA AND GAS EFFICIENCY LABELS	62
9.1	Annual efficiency	62
9.2	Water-side efficiency	62

INTRODUCTION



LT.AL.W7H.000.001

The Remeha Avanta Plus is a series of high-efficiency fully condensing central heating boilers, for wall mounting, available in the following types:

- Remeha Avanta Plus 28c, 35c and 39c
 - with integrated domestic hot water system (**Combi-type**)
- Remeha Avanta Plus 24s
 - without integrated domestic hot water system (**System-type**)

These technical instructions contain useful and important information for the correct installation, operation and maintenance of the Remeha Avanta Plus combi and system boilers.



Read these instructions carefully before putting the boiler into operation, familiarise yourself with their control functions and operation, strictly observing the instructions given. Failure to do so may invalidate warranty or prevent the boiler from operating correctly.

The installation, commissioning, inspection and servicing of the boiler must be carried out by a competent Corgi registered engineer who holds valid ACOPS certification and in accordance with current gas safety (installation and use) regulations, the building regulations and all other relevant codes of practice. All electrical work must be carried out by a competent engineer and to be installed in accordance with the current IEE regulations.



On commissioning the certificate in the Boiler Service Log book (supplied with the boiler) must be completed and left on site with a copy send on to Broag Ltd for registration purposes.

If you have any questions, require an engineer to call on site, or if you need more information about specific subjects relating to this boiler, or it's installation please do not hesitate to contact our technical help line 0118 978 3434.



When contacting Broag with a problem on the boiler, please have available the boiler type, Serial No (located on the bottom of the casing), and the symptoms or fault code (the fault code is a series of flashing red digits in the display panel).





The data published in these technical instructions is based on the latest information (at date of publication) and may be subject to revisions.

We reserve the right to continuous development in both design and manufacture, therefore any changes to the materials or technology employed may not be retrospective nor may we be obliged to adjust earlier supplies accordingly.

1 SAFETY

1.1 General safety

The following pictograms are used in this Installation and Service manual to specifically draw certain points to your attention:

- Tip**  Useful tip or practical advice.
- Indication**  Important instruction in carrying out a particular operation.
- Warning**  Possible danger of personal injury or material damage to the regulator, building or environment.
- Danger**  Serious personal injury can occur because of risk of electric shocks.

1.2 Safety during assembly and installation

Observe the appropriate safety measures, as given in these instructions.



Can you smell gas? What to do:

- do not smoke and do not create any flame or sparks;
- do not use any electric switches;
- turn off the gas tap;
- open windows and doors;
- trace possible leaks and seal them.

Warning! If the leak is before the gas meter, alert your gas supplier, TRANSCO, tel. 0800 111 999



Can you smell smoke or flue gasses? What to do:

- isolate power supply.
- open windows and doors;
- trace possible leaks and seal them.

1.3 Safety during installation, inspection and maintenance

Under the current Gas Safety (Installation & Use) Regulations, the Remeha Avanta Plus, in common with all gas appliances, must be installed by a competent person in accordance with that regulation.

Statutory regulations in any country, cannot be overridden by any of the notes or instructions from the manufacturer.

Compliance with National Standards does not provide any degree of immunity from legal obligations. In the UK, the installation must be in accordance with the national and local norms and requirements.

For any issues or circumstances not addressed within these instructions, please call our Customer Care Department.

Remeha Avanta Plus



The Remeha Avanta Plus (combi and system) is a WRAS (Water regulations) approved product.

Remeha Avanta Plus (combi and system) - PIN:
0063BQ3009

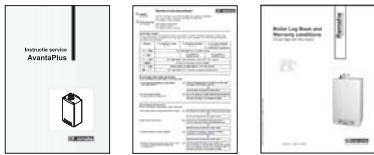
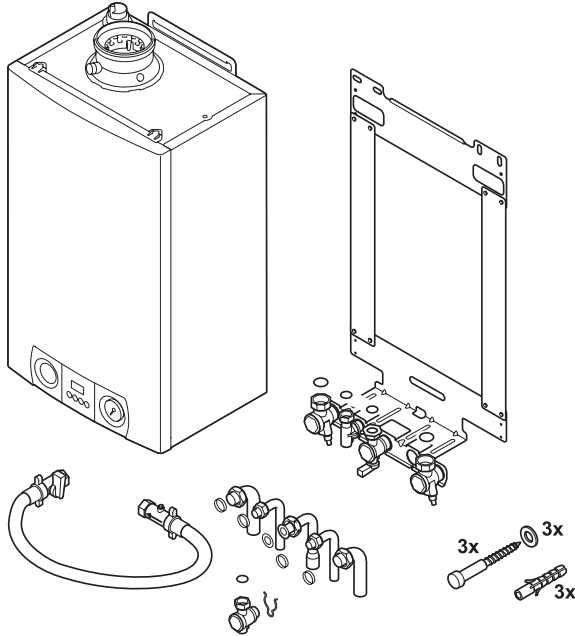
Gas Council numbers: Remeha Avanta Plus 28c: 47-673-02
Remeha Avanta Plus 35c: 47-673-03
Remeha Avanta Plus 39c: 47-673-04
Remeha Avanta Plus 24s: 41-288-05

Classification type for evacuation of the combustion products; according EN 483: see *Par. 8.1*.

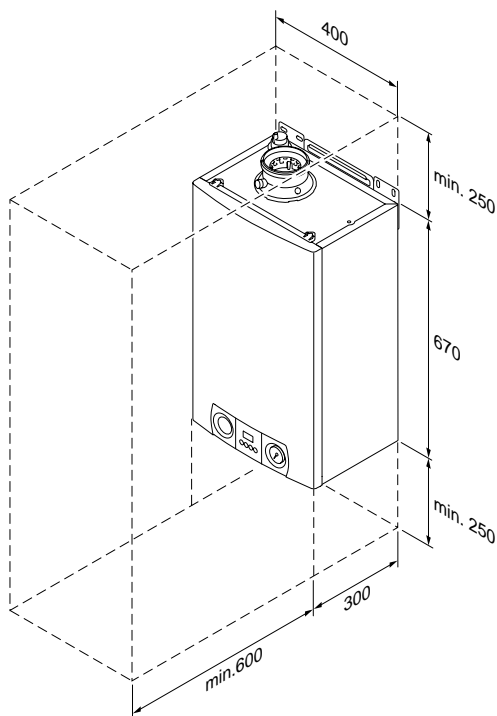
Health and safety information

- The weight of the Avanta Plus system and combi boilers exceed the maximum lift weight for one person. Please ensure all necessary care is taken when lifting the boiler on to the wall mounting plate.
- All sealants and gaskets are free from harmful products. On first firing the boiler, a smell from the sealants and gaskets may be present and should cease after a short period.

2 INSTALLATION



LT.AL.W7H.000.011



LT.AL.W7H.000.003

2.1 Scope of delivery

The standard delivery of the Remeha Avanta Plus boiler includes:

- the boiler (including pressure gauge and safety valve);
- mounting plate (including isolation valve set and washers);
- nylon plugs and screws for fixing mounting plate;
- copper tails 15/22 mm;
- mounting template;
- filling loop;
- Boiler Service Log Book;
- Installation and Service manual and Users guide.

This Installation and Service manual deals with the standard supplied boiler only. For the installation or assembly of any optional accessories supplied with the boiler, such as stand off frame, pipework kits, cover plate, control kits, etc, please refer to the Assembly Instructions supplied with these accessories.

2.2 Mounting the boiler








Packed in the box with the Remeha Avanta Plus box is this Installation and Service manual. Read instructions and remarks carefully. This section includes the guidelines and instructions for the connection of gas, water, electricity, safety devices, the regulator, control unit, flue discharge and air supply.

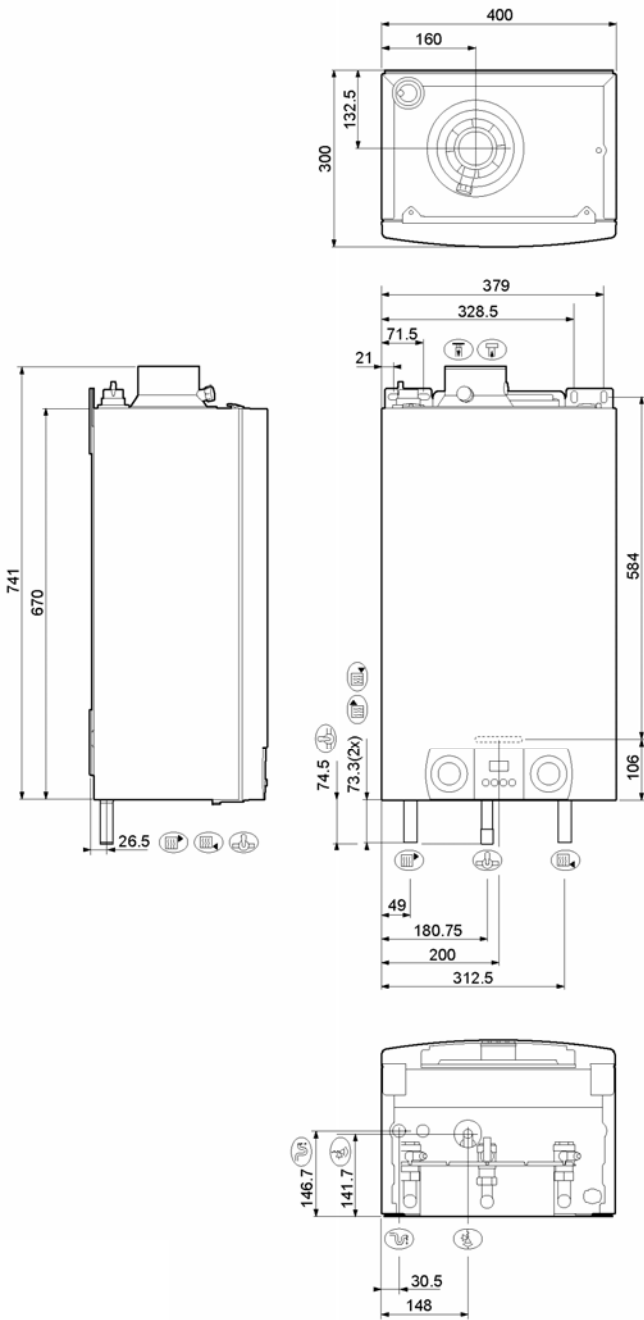
2.2.1 Clearance requirements

The gas and water connections are located on the bottom of the boiler whilst the air in and flue gas outlet is located on the top of the boiler. The boiler is supplied as standard with pipework tails to allow connections facing downwards. Optional stand off frame and pipework kits are available to enable the pipework to run upwards behind the boiler if required. For installation, servicing and inspection min. 600 mm in front of the boiler is required. If this free space is obtained by opening a door or removing a panel, the boiler may be installed for instance in a closed cupboard. For ease of installation we recommend clearances of 0.5 cm at the side so that the unit is easy to open, with a free space of 25 cm under the appliance and 25 cm above the appliance, as the minimum requirement.

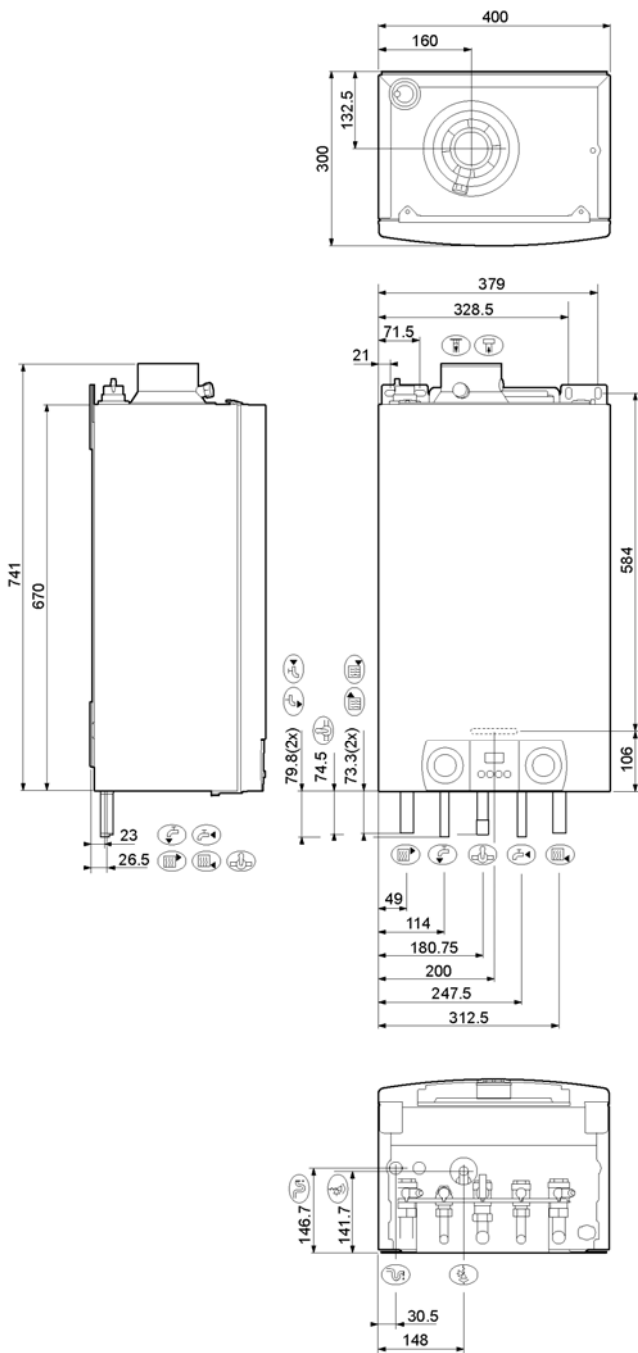
However once installed, it is possible to reduce these clearances to 22 cm at the top, and 5 cm at the bottom provided the boiler front panel can be removed and the isolating valves are easily accessible without the use of tools"

2.2.2 Dimensions and connection points. system type










-  Return connection \varnothing 22 mm
-  Flow connection \varnothing 22 mm
-  Gas connection \varnothing 22 mm
-  Combustion air inlet \varnothing 100 mm (concentric)
-  Flue duct \varnothing 60 mm (concentric)
-  Condensate drain connection $\frac{3}{4}$ "
(standard overflow pipe size)
-  Connection safety valve \varnothing 15 mm



LT.AL.W7H.000.005



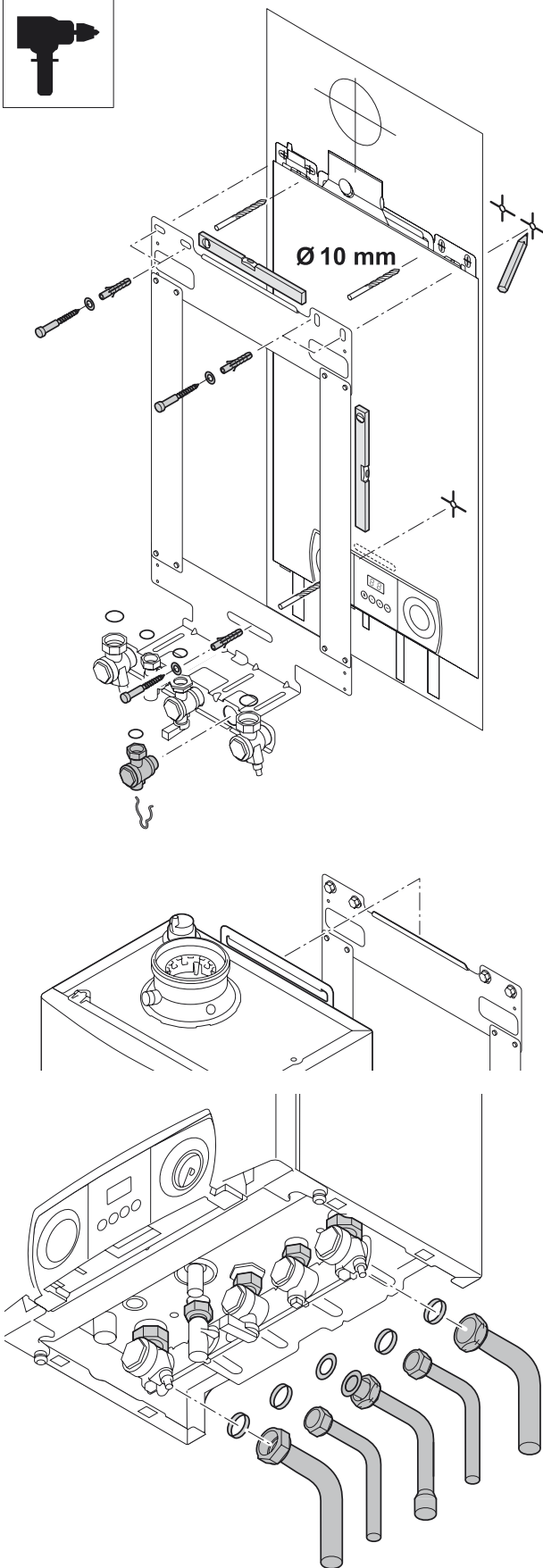
combi type

-  Return connection Ø 22 mm
-  Flow connection Ø 22 mm
-  Gas connection Ø 22 mm
-  Combustion air inlet Ø 100 mm (concentric)
-  Flue duct Ø 60 mm (concentric)
-  DHW inlet (cold) connection Ø 15 mm
-  DHW outlet (hot) connection Ø 15 mm
-  Condensate drain connection 3/4" (standard overflow pipe size)
-  Connection safety valve Ø 15 mm



- Based on the guidelines and the required installation space, determine where to mount the Remeha Avanta Plus.
- In determining the boiler position, consider carefully the flue outlet position and any plumbing consequences.

LT.AL.W7H.000.002



LT.AL.W7H.000.012

2.2.3 Mounting the Remeha Avanta Plus

- Remove the mounting plate and template from the box.
- Using the template determine and mark the position of the three mounting holes and center line of flue, making sure the plate is absolutely level.
- Drill the (Ø 10 mm) holes.
- Fit the (Ø 10 mm) plugs.
- Fit (Ø 8 mm) screws into the plugs.
- Check the mounting plate is level and tighten the screws.
- Fit the valve set to the mounting plate.
- Fit fibre washers on the CH valves.
- Remove boiler from the box and suspend it on mounting plate.
- Connect the valves to the boiler remembering to fit fibre washers supplied.
- Connect the supplied copper tails to the isolating valves.



- The boiler should be mounted on a suitable vertical wall which is able to support the weight of the boiler.
- The boiler should be mounted in a room which, even during severe cold weather, remains frost-free.
- If the boiler is to be installed in a timber framed building, please refer to British Gas publication: 'Guide for Gas Installations in Timber frame Housing', reference DM2.
- In a new installation it is possible to fit just the wall plate and valve set to enable the system pipework to be completed and tested before fitting the boiler at a later date (place fibre washers supplied in a safe place for use when fitting the boiler).



- Make sure the boiler and any open connections are protected from building dust etc. during the installation.
- There must be a 3 amp fused switched spur within 1m of the boiler.
- Provision must be made for the condensate discharge.

2.3 Water-side connections

2.3.1 Water flow

An internal automatic flow by-pass is supplied in the Avanta Plus to ensure correct operation on systems fitted with TRV's on all heat emitters. The 'abc®' control also monitors the temperature difference across the flow and return connections and the rate of temperature rise and will automatically regulate the boiler output to ensure that it remains operational for as long as possible without the need to 'lock out' requiring a manual re-set.

2.3.2 Circulation pumps

The Remeha Avanta Plus 24s and 28c are fitted with the Grundfos UPR 15-60 and the Avanta Plus 35c and 39c with the UPR 15-70, two-speed circulation pumps. The control unit ensures that when the hot-water function is active, the pump runs at 'high'. The factory setting of the pump for CH function is 'low.' If necessary, the service installer can adjust this to 'high' by switching parameter $\boxed{2} \boxed{1}$ (from $\boxed{0}$ to $\boxed{1}$) see *par.* 2.9.8.

2.3.3 Additional guidelines for the domestic and CH water

- The system should be filled with mains cold water (for the UK this will usually have a pH of between 7 and 8).
- Power flush the pipes and radiators thoroughly to remove all fluxes and debris before connecting the boiler to the central heating system in accordance with BS 7593 (1992).



- The temperature of the central heating pipes and the radiators can rise to 95°C.
- Use untreated tap water only to fill the CH system.
- The pH value of the system water must be between 6 and 9.
- In case inhibitors are being used, please follow the instructions given in *par.* 2.3.4.

2.3.4 Water treatment

If used correctly water treatment can improve the boilers efficiency and increase the anticipated life expectancy of the boiler. For further information a special document "Quality requirements CH water" is available from Broag.

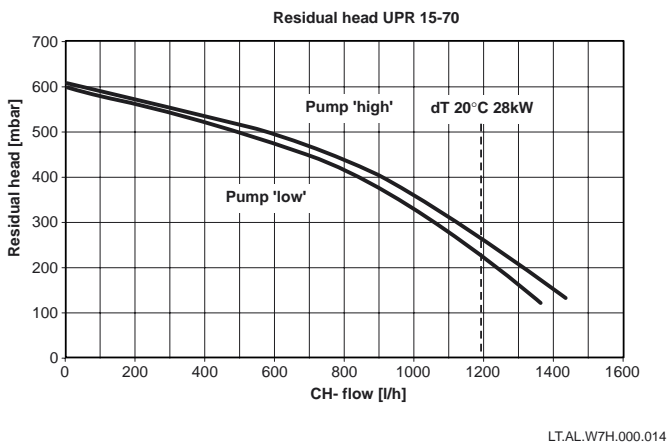
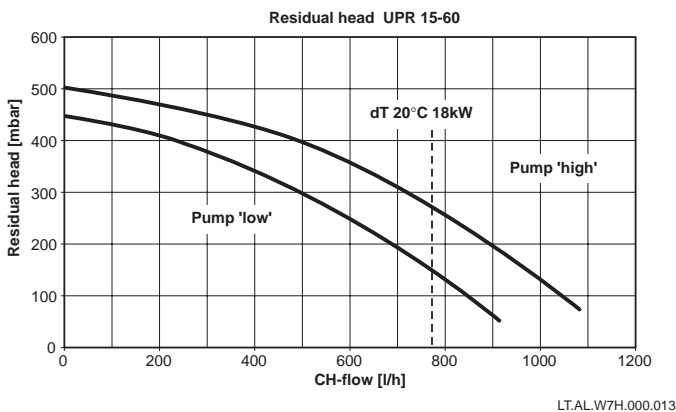
As most systems contain a variety of metals, it is considered good practice to provide some form of water treatment in order to prevent or reduce the following:

- Metallic corrosion
- Formation of scale and sludge
- Microbiological contamination
- Chemical changes in the untreated system water



All scale deposits however small will reduce the efficiency of the boiler and should be prevented.

Suitable chemicals and their use should be discussed with a specialist water treatment company prior to carrying out any work (environmental aspects, health aspects). The specification of the system and manufacturers recommendations must be taken into account, along with the age and condition of the system. New systems should be flushed thoroughly to BS 7593(1992) to remove all traces of flux, debris, grease and metal swarf generated during installation. Care to be taken with old systems to ensure any black metallic iron oxide sludge and other corrosive residues are removed, again by power flushing, ensuring that the system is drained completely from all low points.





Please ensure that the new boiler plant is not in circuit when the flushing takes place, especially if cleansing chemicals are used to assist the process.

It is important to check the inhibitor concentration after installation, system modifications, filling the system and every service in accordance with these instructions.

For the correct dosage and the suitability of inhibitors for use with our boilers and for further information on water treatment or system cleaning we advise direct contact with either of the following companies:

'Copal®' manufactured by:

Fernox, Cookson Electronics
Forsyth Road
Sheerwater
Woking
Surrey GU21 5RZ
Tel No: 01483 793200
Fax No: 01483 793201
Email: sales@fernox.com
Web site: www.fernox.com

or:

'Sentinal 'X100®' manufactured by:

BetzDearborn Ltd
Sentinal
Foundry Lane
Widnes
Cheshire WA8 8UD
Tel No: 0151 424 5351
Fax No: 0151 420 5447

2.3.5 Safety valve discharge

A pressure relief safety valve is fitted in the boiler set to the maximum operating pressure of the boiler at 3 bar.

If the pressure in the boiler becomes too high the pressure is relieved by releasing water outside via the safety valve discharge pipe. A safety valve should be fitted in accordance with the British standards. The safety valve discharge pipe must be at least 15 mm Ø. The discharge should be terminated facing downwards exterior to the building in a position where discharging water will not create danger or nuisance but remains in a visible position.

2.3.6 Expansion vessel

An 8 litre expansion vessel (with the vessel charge set to 1.0 bar) is fitted as standard within the boiler case and is suitable for use in a heating system with a water content up to 100 litres, operating at a flow temperature of 80°C, a maximum pressure of 3 bar and a maximum system static head of 5 metres above the boiler. If the system water content is greater than 100 litres, or the system static head above the boiler is greater than 5 m, an additional vessel must be installed in the system to allow for the increase in expansion, see *table 01*.





Install additional vessel according BS 5449, part1.

Boiler Safety Valve Setting (Bar)	3.0		
Vessel Charge (Bar)	0.5	1	1.5
Heating System Water Content (Litres)	Expansion Vessel Size (Litres)		
100	4.8	8.0	13.3
125	6.0	10.0	16.6
150	7.2	12.0	20.0
175	8.4	14.0	23.3
200	9.6	16.0	26.6
250	12.0	20.0	33.3
300	14.4	24.0	39.9
For other system volumes, multiply the system volume by the factor across:	0.048	0.080	0.133

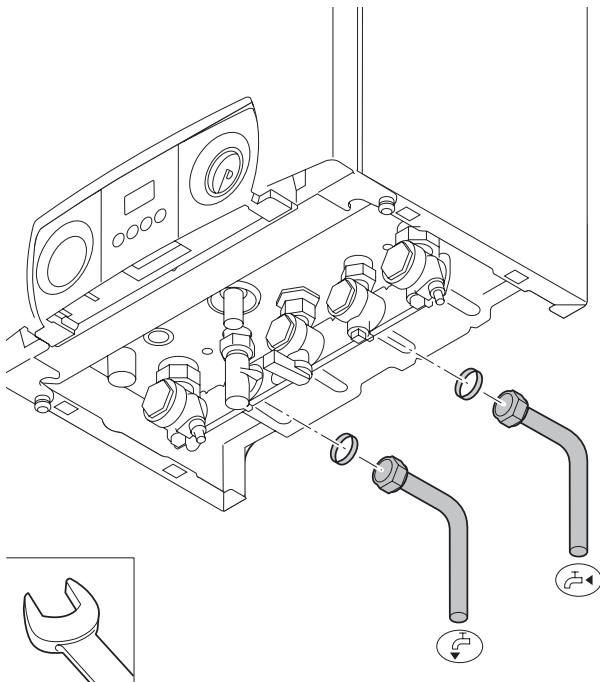
table 01 Expansion Vessel Size

2.3.7 Connecting DHW pipes

- Fit the outlet pipe for hot water to the DHW outlet  15 mm Ø connection.
- Fit the inlet pipe for cold water to the DHW inlet  15 mm Ø connection.




- The DHW pipes must be connected in accordance with current regulations.
- For plastic pipes, follow the manufacturer's instructions (for connection).



LT.AL.W7H.000.015

Remeha Avanta Plus

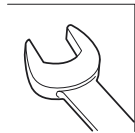
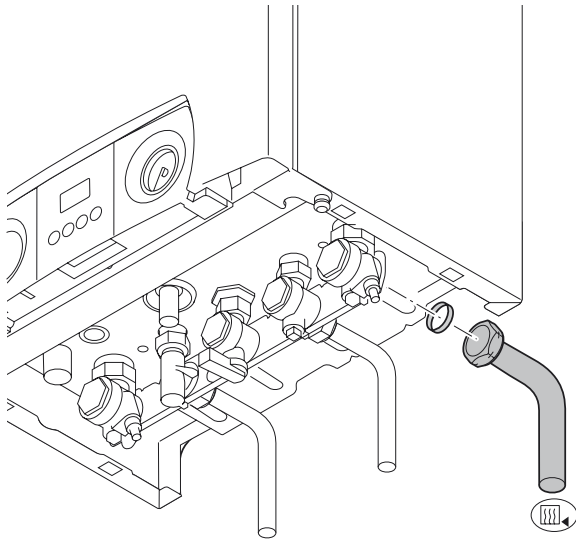
2.3.8 Connecting the 'CH return'

- Fit the inlet pipe for CH water to the 'CH return'  22 mm Ø connection.




The Remeha Avanta Plus has a drain cock built into the return isolating valve

It is considered good practice to install an air separator / dirt removal device in the return to the boiler.



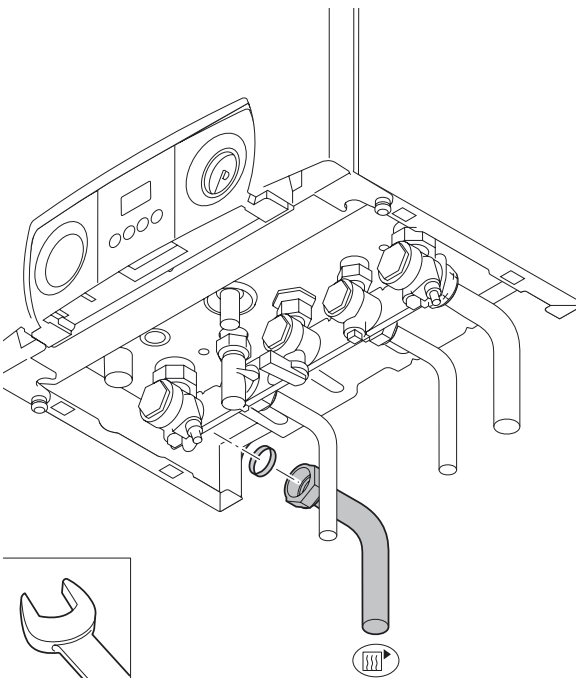
LT.AL.W7H.000.016

2.3.9 Connecting 'CH flow'

- Fit the outlet pipe for CH water to the 'CH flow'  22 mm Ø connection.

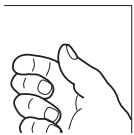
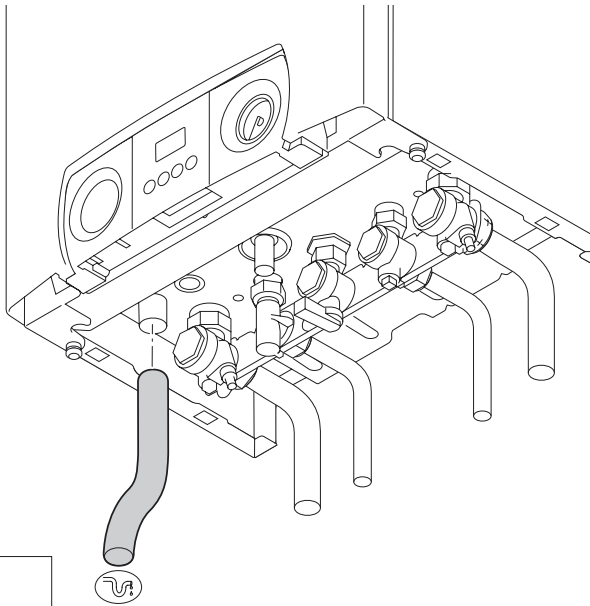


The Remeha Avanta Plus has a drain cock built into the flow isolating valve.



LT.AL.W7H.000.017

2.3.10 Connecting condensate drain



LT.AL.W7H.000.018

- Connect the condensate drain outlet (UR) to a suitable waste water drain point using acid resisting pipe work (i.e. - 3/4" overflow) To enable the siphon in the boiler to be removed / serviced, the connection should not be a permanent one (i.e. "push fit" system).
- To prevent the risk of freezing connect the condensate into an internal vertical soil pipe using a tundish (air break) c/w a min 75 mm water seal trap.
- If the condensate pipe has to run externally make sure this is done by realizing the shortest possible route, and increase the diameter to at least 1 1/4" or insulate it with weather resistant insulation.
- The drain should slope at least 3 cm per meter, with a maximum horizontal length of 5 m.



- If connecting into an internal discharge branch (i.e. sink waste etc) the connection must be down stream of the existing waste trap.
- Fill the boiler siphon with water before operation, to prevent flue gasses discharging into the room.
- The condensate drain must be connected in accordance with current regulations.

2.3.11 Connecting under floor heating

The Remeha Avanta Plus can be connected directly to an under floor heating system.

If plastic pipes have been used they must be made oxygen diffusion proof in compliance with DIN 4726/4729

When installing under floor heating with a separate pump, the layout should be such that the under floor heating pump cannot cause a flow to the boiler if there is no heat demand. A low loss header should therefore be fitted between the system and the boiler.



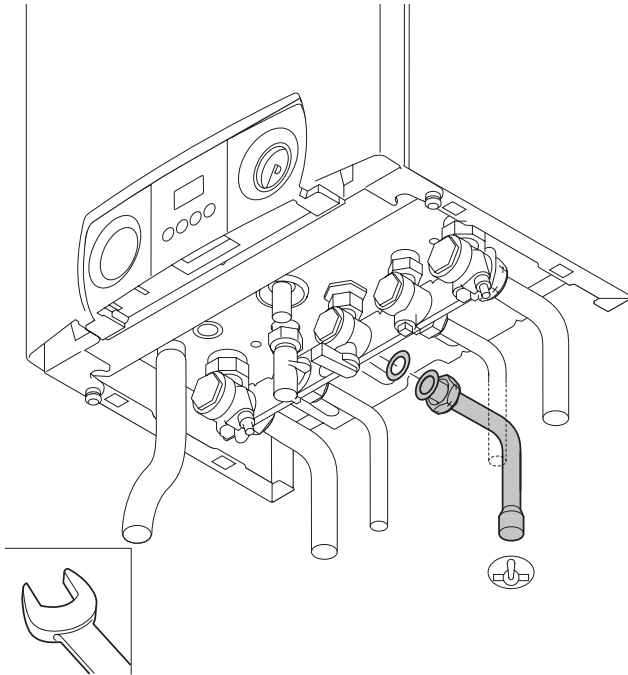
Please ensure that the residual pump duty of the boiler is sufficient for the resistance of the under floor system. If not a low loss header should be used to separate the boiler from the under floor circuit to allow a separate pump sized for the resistance of the under floor system to be used.

2.4 Gas-side connections

2.4.1 Additional guidelines for gas connections



Before installation, check that the gas meter has sufficient capacity for the demand. Remember to consider the consumption of all household appliances.



LT.AL.W7H.000.019


2.4.2 Adjusting boiler to other gas-type

The Avanta Plus boilers are suitable for both natural gas and propane firing. For the Avanta Plus 39c an optional LPG-set is needed.

The boilers are supplied as standard set for natural gas (H), therefore the following procedure must be carried out BEFORE the boilers are fired and commissioned for the first time on propane:

Adjust the fan speed (see Par. 2.9.8) and adjust the gas/air ratio (see Par. 2.9.3).

2.4.3 Connecting the gas supply

- Before starting any work on the gas supply, turn off the main isolation valve.
- Connect the gas supply  to the 22 mm Ø boiler connection.



- Make sure there is no dirt in the gas pipe. Blow through the pipe before installation or tap well to purge.
- Make sure that the minimum gas service pressure is high enough (in full load > 17 mbar).
- Preferably install a gas filter in the gas pipe to prevent the gas block from getting dirty.
- The gas supply must be connected, tested for soundness and purged by a qualified Engineer and in accordance with BS6891.

2.5 Flue terminal and air supply connections

The Remeha Avanta Plus is only suitable for room sealed operation with a standard concentric connection 60/100 mm Ø or the optional 80/125 mm Ø connection.

Detailed recommendations for air supply and flue terminals are given in BS 5440.



It should not be necessary to provide compartment ventilation when the boiler is used with a standard concentric flue.

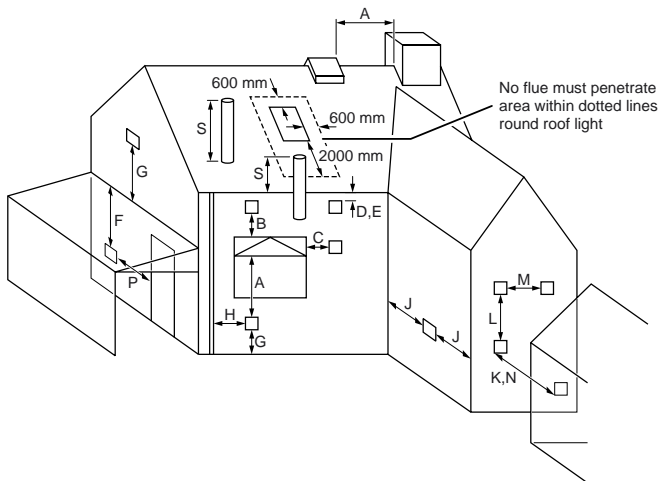
2.5.1 Flue terminal positions

The flue terminal must be located with care to ensure that the products of combustion are dispersed properly in all weather conditions and cause minimum nuisance to the building user or any adjacent buildings. If the terminal is positioned less than 2 m above the ground, balcony, or flat roof where access by persons is possible a suitable guard must be employed.



The boiler will produce a water vapour plume during normal operation.

Positions for the Remeha Avanta Plus are shown in the figure and table 02.



LT.AL.W7H.000.020

Dimensions	Terminal location	Minimum distance (in mm) to terminal (room sealed)
A	Directly below an opening, air brick, opening window, etc.	300
B	Above an opening, air brick, opening window, etc.	300
C	Horizontally to an opening, air brick, opening window, etc.	300
D	Below a gutter or sanitary pipe work	40 ¹⁾
E	Below the eaves	40 ¹⁾
F	Below a balcony or carport roof	40 ¹⁾
G	Above ground, roof or balcony level	300
H	From vertical drain/soil pipe work	40 ¹⁾
J	From an internal or external corner	40 ¹⁾
K	From a surface or boundary facing the terminal	600 ²⁾
L	Vertically from a terminal on same wall	1500
M	Horizontally from a terminal on same wall	300
N	From a terminal facing the terminal	1200
P	From an opening in a carport (e.g. door, window) into the building	1200
R	From a vertical structure on the roof	n/a
S	Above an intersection with the roof	n/a

table 02 Minimum distances to terminal

- ¹⁾ = We advise to use deflectors in case of these small distances.
 - ²⁾ = Where the terminal is positioned directly opposite an opening in the facing wall the min will be 2 m.
- n/a = not applicable.

2.5.2 Room sealed flue

See table 03 for the maximum pipe length of flue ducts and air supply pipes for this 'room sealed' application.

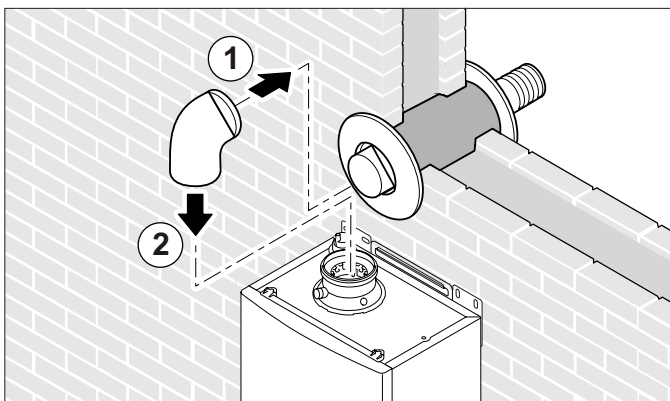
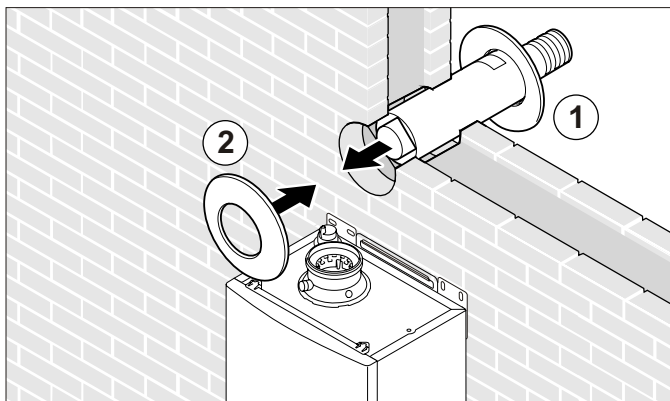
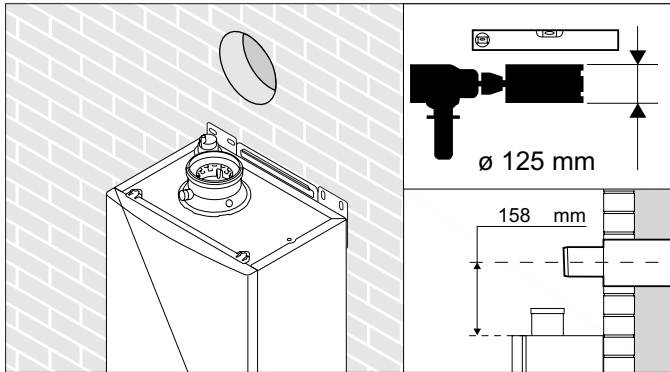
It is not necessary to provide combustion air to the room or internal space in which the boiler is installed.

	24s		28c		35c		39c	
	60/100	80/125	60/100	80/125	60/100	80/125	60/100	80/125
Diameter in mm Ø	60/100	80/125	60/100	80/125	60/100	80/125	60/100	80/125
Maximum length 'L' allowed [m]	6	29	6	29	7	30	5	25
Eq. Length of 90° elbow	1.4							
Eq. Length of 45° elbow	0.65							

table 03 Maximum pipe lengths for flue duct and air supply in room sealed application



For flue installations not covered by this booklet, please contact our technical help line 0118 978 3434.



LT.AL.W7H.000.021

2.5.3 Connecting the flue terminal and air supply

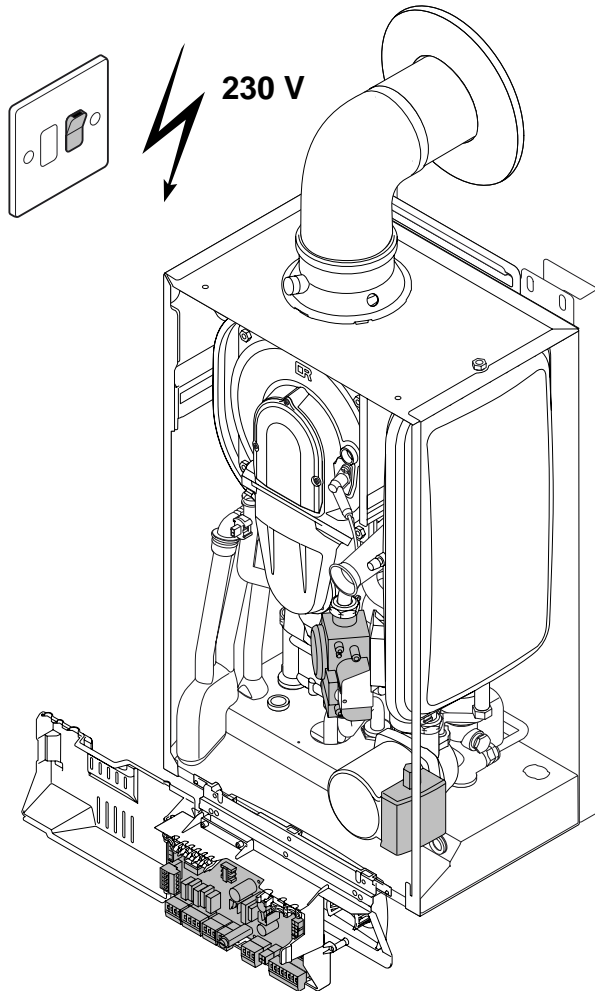
- Check the depth of the wall and cut the terminal to suit – taking note of the cutting instructions supplied with it
- Core drill a 125 mm Ø hole in the wall, fit the rubber closure plate at the exit end and slide the terminal through the wall until the closure plate is clear of the outer edge of the wall – pull back the terminal till the closure plate is flush then fit inner wall closure to secure.



- All connections must be airtight and waterproof.
- Horizontal extension sections should slope towards the boiler (at least 3 cm per metre).

2.6 Electrical connection

- Connect the boiler to the fused (3 amp) switch spur unit adjacent to boiler.
- The switch unit must always be accessible.

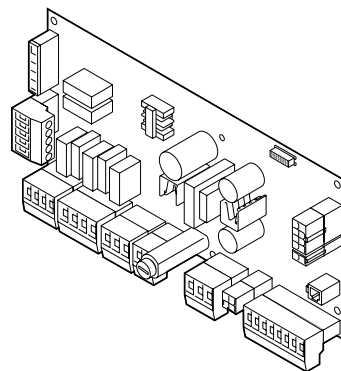


LT.AL.W7H.000.022



When the switch spur is on the following components of this appliance can be live (230 V):

- electrical connection pump;
- electrical connection gas combination block;
- electrical connection three-way valve;
- most parts of the control unit;
- ignition transformer;
- X1, X2, X4, X5, X6 and X7 terminal strip;
- 230 V supply cable connection.



LT.AL.W7H.000.023

2.6.1 The control unit

The Remeha Avanta Plus has an electronic regulation and control unit with an integrated ionisation flame detector. The heart of the boiler control unit is a microprocessor, the 'abc[®]', which controls and protects the boiler.

The maximum rated input is between 115 and 180 W (depending on boiler type).

The boiler is fully pre-wired internally, all external connections can be made using the terminal strips X5 - X7 - X9 and 230 V input (X2 terminal). See the diagram for the position of the connectors and fuse (F2) on the control unit.

The most important properties of the control unit are summarized in *table 04*.

Remeha Avanta Plus

Manufacturer	Sit Controls
Supply voltage	230 V – 1ph – 50 Hz
Pre-purge time	3 s
Post-purge time	5 s
Ignition time	2.5 s
Safety time	5 s
Anti-cycling time	3 till 10 min.
Fuse value F1 (230 V)	2 AT
DC fan	24 VDC

table 04 Control unit characteristics



Any loads other than those specified above are only allowed if an isolating transformer is used.

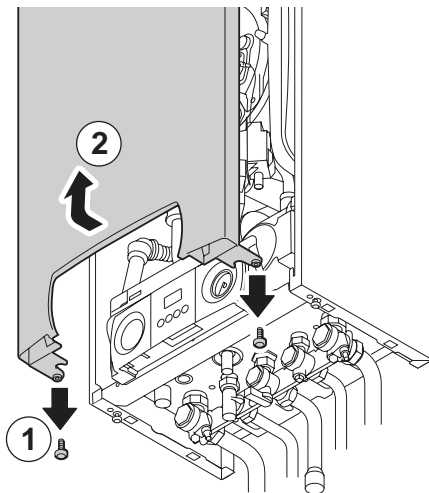
The output of the Remeha Avanta Plus can be controlled in the following ways:

On/off control – volt free switching - The boiler's internal control will modulate the output to achieve the flow temperature set point of the boiler. This contact is on the X9 terminal strip (low voltage only).

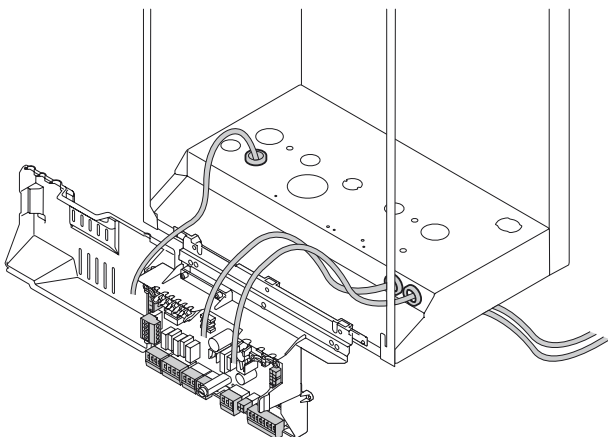
Modulated control – Open Therm - The external controls will modulate the boiler's output to achieve the flow temperature determined by the modulating regulator. This contact is on the X9 terminal strip (low voltage only).

On/off control – 230 V switching - The boiler's internal control will modulate the output to achieve the flow temperature set point of the boiler. This contact is on the X2 terminal strip (230 VAC only).

Modulated control – Open Therm in combination with an externally mounted simple 230 V switching time clock - The boiler will provide room compensated heating and time control over CH and DHW (System boiler).



- All connections on terminal X1, X2, X4, X5, X6 and X7 are 230 VAC.
- All connections on terminal X9 are low voltage only.



2.7 Connecting external controls

- Release the two screws at the bottom of the front casing and remove the front casing.
- Feed the cables through the grommet in the base of the boiler.
- Connect the cables to the relevant connectors, as shown in the diagrams.



- Isolate power supply at the fused spur before carrying out any work on the boiler controls.

LT.AL.W7H.000.024

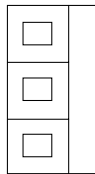
Terminal Block X6



230v - 3 Amp
Power Supply

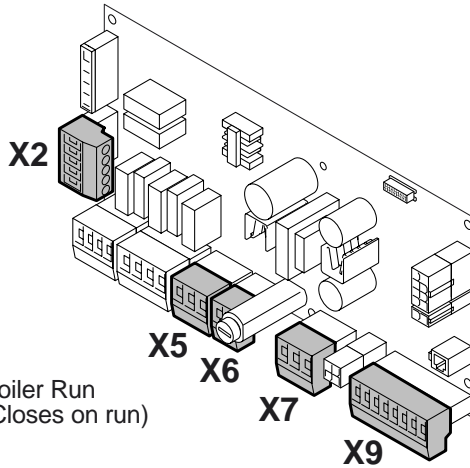


Terminal Block X7

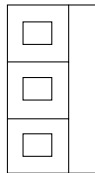


1 } Common Alarm
2 } (Closes on alarm)

Boiler Run
(Closes on run)



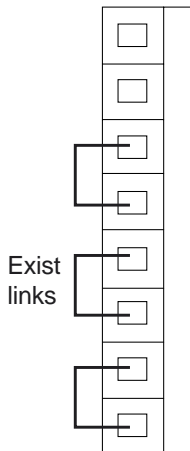
Terminal Block X5



1 - Neutral
2 - Open valve to DHW (230v)
3 - Open valve to HTG (230v)

For external DHW priority
diverting valve on System boiler
when used in conjunction with
"Open Therm" compensation

Terminal Block X9



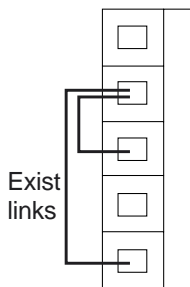
1 } Outside sensor (red band) for direct boiler weather compensation
2 } or when used in conjunction with a compatible Open Therm
control eg: Chronotherm or Celcia 20

3 } DHW sensor (red band) or volt free thermostat (make on temp fall)
4 } Remove existing link to use this function

5 } External interlock (volt free)
6 } Remove existing link to use function

7 } Modulating - using Open Therm control
eg: Honeywell Chronotherm or Celcia 20
On / Off - using volt free switching control
eg: Celcia 10 or low volt room thermostat

Terminal Block X2



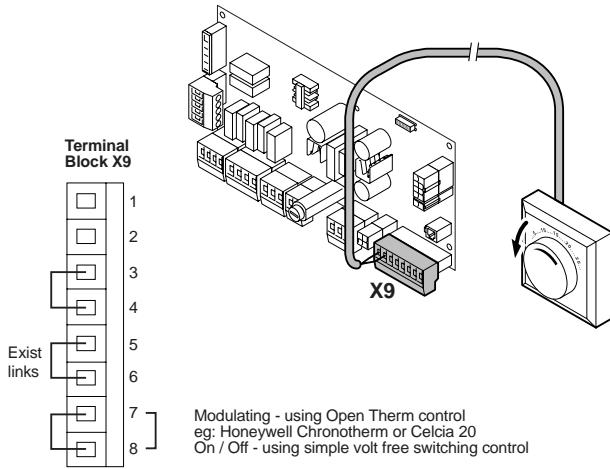
5 - N } Power supply to external time clock -230v
4 - L }

3 - Switch live (230v) from external time clock DHW demand
Remove existing link 4-3 to use this function

2 -
1 - Switch live (230v) from external time clock HTG demand
Remove existing link 4-1 to use this function

NOTE: Terminal blocks are not in line as shown - diagramatic only

2.7.1 On/off control – room temperature (volt free switching)



LT.AL.W7H.000.026

The Remeha Avanta Plus can be connected to a 2-wire on/off thermostat, such as the Remeha Celcia 10.

Mount the thermostat in a reference room (usually the living room).

- Remove existing link between connectors 7 and 8 of the X9 terminal strip before use;
- Connect the 2-wire 24 V room thermostat to connectors 7 and 8 of the X9 terminal strip.

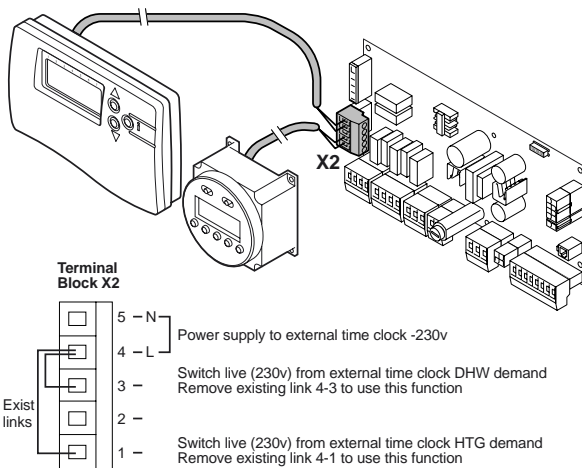


If a room thermostat with an anticipation resistor is being used, parameter $P5$ should be changed from 0 to 1 , see par. 2.9.8.

2.7.2 Time control using an internal or external 230 V clock



When the switch spur is on, the terminal strip X2 will be live (230 V).



LT.AL.W7H.000.027

- A 230 V two channel time clock for CH and DHW control can be connected to the Remeha Avanta Plus.
Live 230 V supply for the time clock - connect to connectors 4 (L) and 5 (N) on X2 terminal strip.
- For CH - remove existing link between connectors 4 and 1 of the X2 terminal strip and connect the 230 V output from the time clock to terminal 1 on the terminal strip X2.
- For DHW - remove existing link between connectors 4 and 3 of the X2 terminal strip and connect the 230 V output from the time clock to terminal 3 on the terminal strip X2.



For this option to function correctly a link or room control must be fitted between connectors 7 and 8 of X9 terminal strip (remove existing link before use).

For continuous DHW on, when using a combi boiler, the link across connectors 3 and 4 MUST not be removed

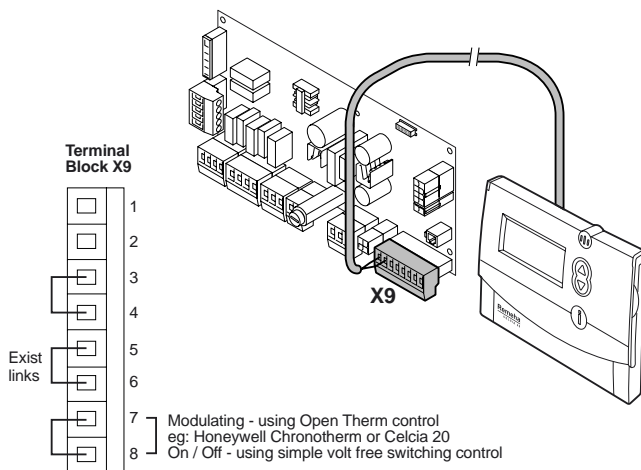
If the 230 V supply for the external time clock is not taken from the boiler – terminal block X2 connections 4 & 5, it must be taken from the same phase as the boiler 230cv supply and correct polarities observed.

2.7.3 Connecting a 230 V time clock in combination with a modulating room control

With an externally mounted simple 230 V switching time clock connected to connectors on X2 terminal strip and a Celcia 15 connected to connectors 7 and 8 of X9 terminal strip (remove existing link between connectors 7 and 8 before use), the Remeha Avanta Plus will provide room compensated heating and time control over CH and DHW (System boiler).



An OpenTherm® room modulating control (Celcia 15) used in conjunction with a simple external 230 V time clock will provide easy to set up and operate - timed room compensation heating



LT.AL.W7H.000.028

2.7.4 Modulating control – room or outside compensation

The Remeha Avanta Plus has an OpenTherm® interface. This enables our modulating range of OpenTherm® room controls (e.g. the Remeha Celcia 15 or 20) to be connected without any further modifications.

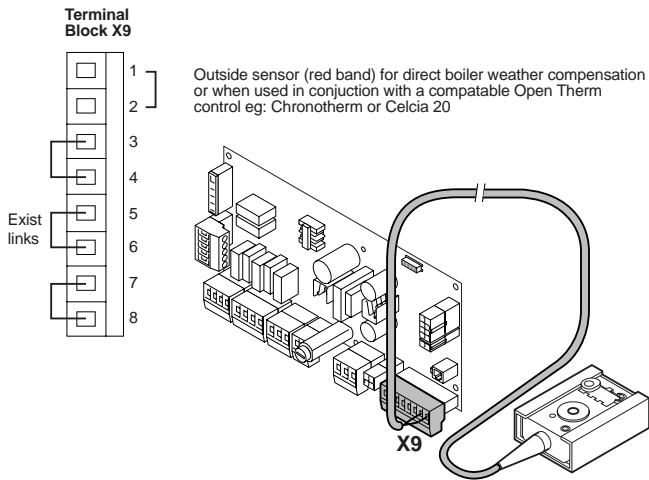
- Mount the control in a reference room (usually the living room).
- Connect the two-wire interface cables to connectors 7 and 8 of the X9 terminal strip (remove existing link between connectors 7 and 8 before use).
- When using the Celcia 20 it is possible to add the outside sensor to provide weather compensation with room adjustment. Connect the outside sensor to connectors 1 and 2 of the X9 terminal strip.

If the DHW water temperature on the OpenTherm® control can be adjusted, then the Remeha Avanta Plus will supply water at the temperature determined at the OpenTherm® with the maximum being set in the boiler.

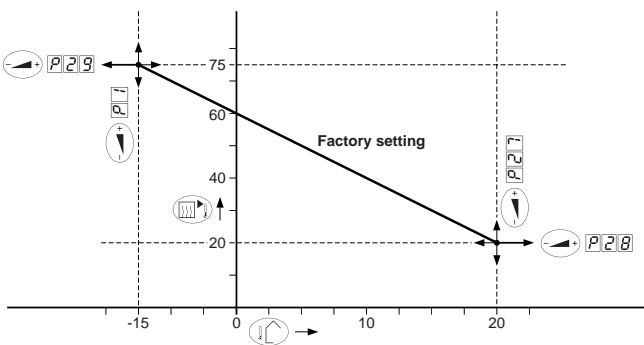
OpenTherm® is an industry standard modulating control available from several control manufacturers.



The Remeha Avanta Plus can therefore be controlled directly by any other controls with this OpenTherm® logo



LT.AL.W7H.000.029



LT.AL.W7H.000.030

2.7.5 Connecting an outside temperature sensor

An outside temperature sensor can be connected to connectors 1 and 2 of the X9 terminal strip.

The boiler will regulate the output using the set point of the internal heat curve.

This can be set as follows:

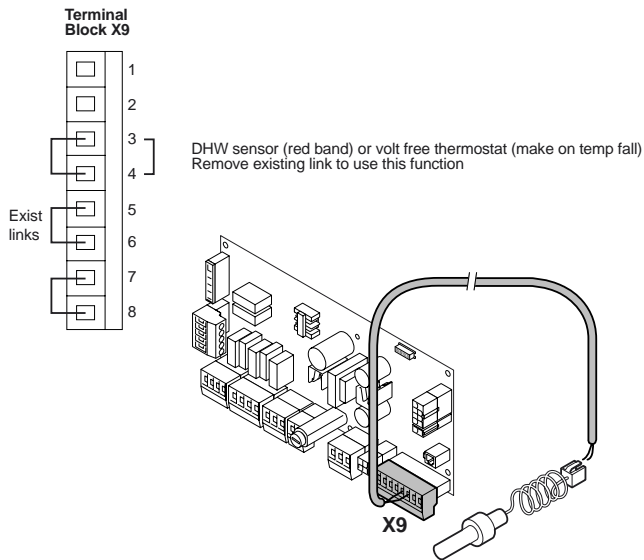
- Outside temperature minimum set point = -15°C (adjustable with parameter P29 to between 0 and -30°C)
- Outside temperature maximum set point = 20°C (adjustable with parameter P28 to between 0 and 40°C)
- Flow temperature set point at maximum outside temperature = 20°C (adjustable with parameter P27 to between 0 and 60°C)
- Flow temperature set point at minimum outside temperature = 75°C (adjustable with parameter P1 to between 20 and 85°C)



An outside sensor used in conjunction with a simple 230 V time clock will provide easy to set up and operate - timed weather compensation heating based on the above graph.

2.7.6 Connecting the DHW sensor/thermostat

- If an external DHW calorifier is being used with the Avanta Plus system boiler a volt-free DHW control sensor or thermostat can be connected to connectors 3 and 4 of the X9 terminal strip after removing the existing link. The control will automatically detect whether a sensor or a thermostat has been connected.

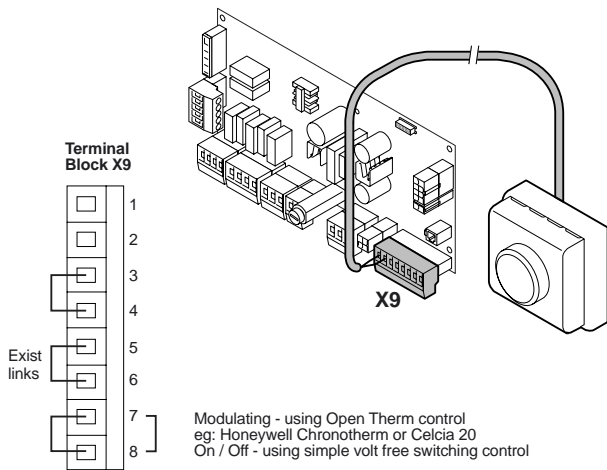


LT.AL.W7H.000.031

2.7.7 Connecting a frost thermostat

The boiler must be installed in a frost-free area to prevent the condensate drain from freezing. However if the temperature of the CH water in the boiler drops too low, the integrated boiler protection device is activated as follows:

- at a water temperature below 7°C: the circulation pump is switched on;
- at a water temperature below 3°C: the boiler is switched on;
- when the water temperature is above 10°C: the boiler is switched off and the circulation pump runs for another 15 minutes.



LT.AL.W7H.000.032



- A frost thermostat should preferably be installed in rooms with a high frost risk.
- Connect the frost thermostat in parallel to the room thermostat - connectors 7 and 8 of the X9 terminal strip (remove existing link between connectors 7 and 8 before use).



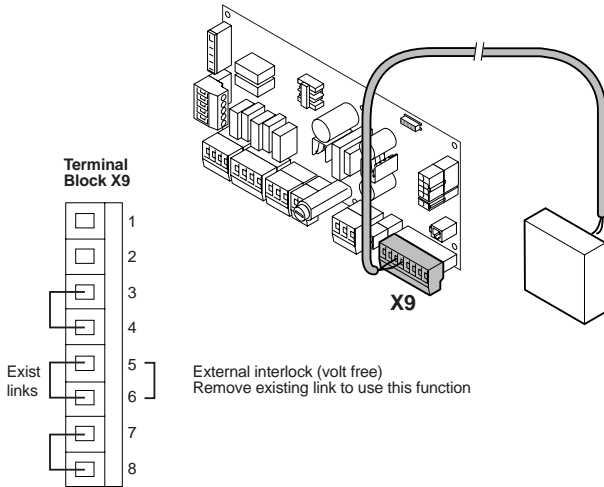
If a 230 V switching time clock is connected to terminal strip X2, the frost thermostat wired as indicated (on connectors 7 and 8 of the X9 terminal strip) it will not bring the boiler on if the time clock is in the OFF position. In these cases the frost stat must be connected in parallel with the time clock on connectors 1 and 4 of the X2 terminal strip (frost stat contacts to close on temperature fall).



- The integrated boiler protection described above will not provide complete system or fabric protection.
- When a Celcia 20 control has been fitted to connectors 7 and 8 on X9 (see Par. 2.7.4) an outside sensor as detailed in Par. 2.7.5) must be used to provide system and building fabric frost protection. I
- If a frost thermostat is connected parallel to the Celcia on connectors 7 and 8 on X9, when the frost thermostat calls for heat (contact closed) it will override the Celcia 20 control and cause an error message (OT ERROR) flashes in the display and the boiler will operate continuously to achieve the flow set point.

2.7.8 Connecting an external interlock

The Remeha Avanta Plus is supplied with an external interlock function. A volt free switching device (i.e. external gas pressure switch, safety thermostat for under floor heating) can be connected to connectors 5 and 6 of the X9 terminal strip after removing the existing link. When this circuit is open the boiler will shut down with the display showing (code 9) and will restart when the circuit is closed.

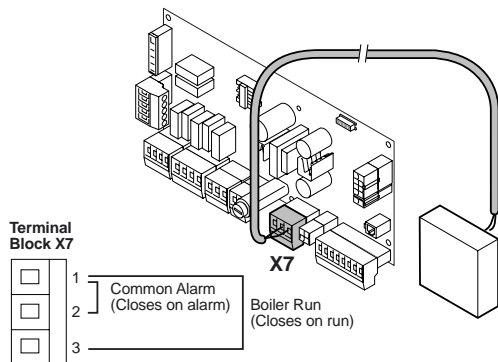


LT.AL.W7H.000.033

2.7.9 Connecting remote alarm and boiler run indication

As standard the boiler is supplied with 3 volt free connectors on terminal X7. They can be used for an external gas valve, remote alarm and boiler run indication.

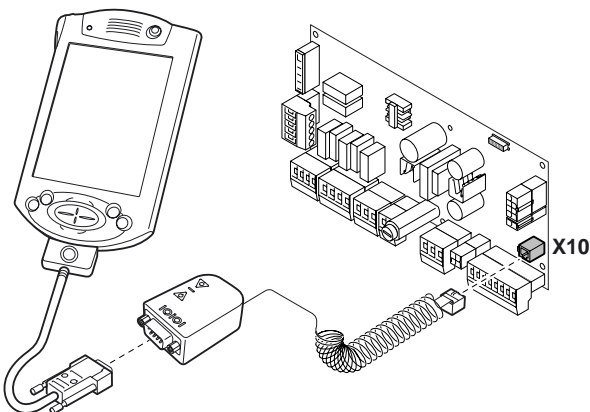
- Common alarm signal connect to connectors 1 and 2 on terminal X7. Contact closes on lock out. For this purpose set parameter 24 from 0 to 1.
- Boiler run signal connect to connectors 1 and 3 on terminal X7. Contact closes on heat demand. For this purpose set parameter 24 from 0 to 2.
- Connect an external gas valve to connectors 1 and 3 on terminal X7. Contact closes when the gas valve is activated. For this purpose set parameter 24 from 0 to 3.



LT.AL.W7H.000.034

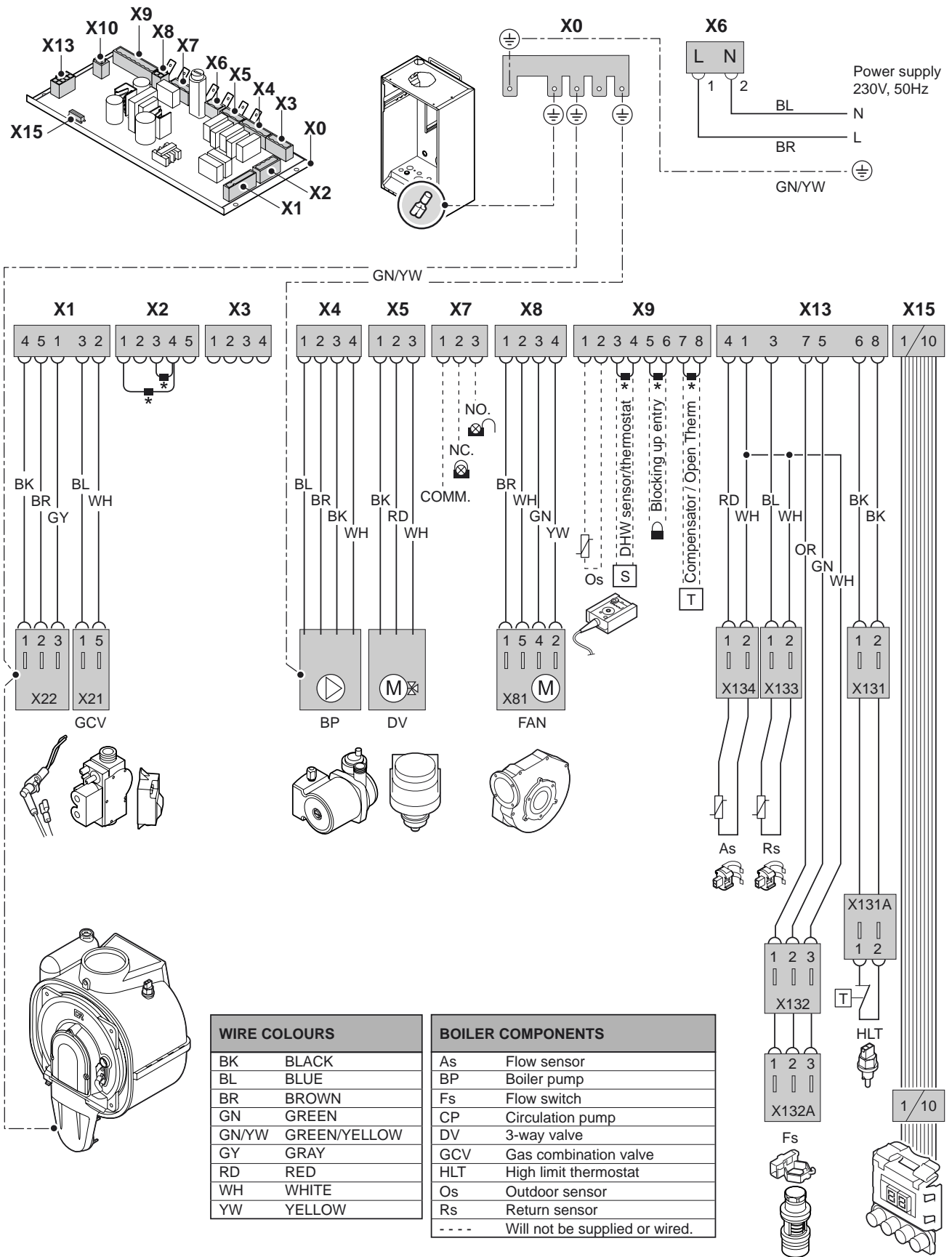
2.7.10 Connecting a PC/PDA

Using the optional Recom interface package a PC or PDA can be connected to the X10 "telephone connector". Using the Recom PDA service software you can load, change and download various boiler settings and readings. See the user instructions supplied with the software/hardware.



LT.AL.W7H.000.035

2.8 Wiring diagram



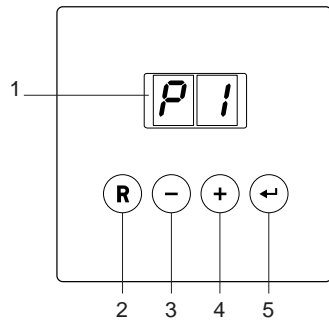
LT.AL.W7H.000.234

* Remove existing link between connectors 7 and 8 before use

2.9 Commissioning

2.9.1 Control Panel

The control panel of the Remeha Avanta Plus has 4 function keys and a LED display. The function keys are used to read or change the settings and temperatures.



LT.AL.W7H.000.036

- 1 = display
- 2 = **[reset]** key
- 3 = **[-]** key
- 4 = **[+]** key
- 5 = **[enter]** key

The display has two positions and displays information on the current operating status of the boiler and any errors.

Numbers, dots and/or letters can appear in the display. The symbols above the function keys indicate what the function of that particular key then is.

If no key is pressed for longer than three minutes with the “boiler in stand-by mode”, only one dot is lit. With the “boiler operating”, two dots are displayed.

- Press any key and the current boiler status and operation code will appear in the display.
- In the event of a fault, the fault code is displayed instead of the dots.

2.9.2 Additional guidelines for commissioning

- When commissioning, use the Boiler Log Book.
- Work through all the stages of this section, complete the commissioning details in the supplied Boiler Log Book and send a copy of the completed documents to Broag to register the boiler.
- The boiler is supplied as standard for use with Natural Gas and tested at an operating pressure of 20 mbar.



The boiler must not be put into operation with a different type of gas without reference to Broag.

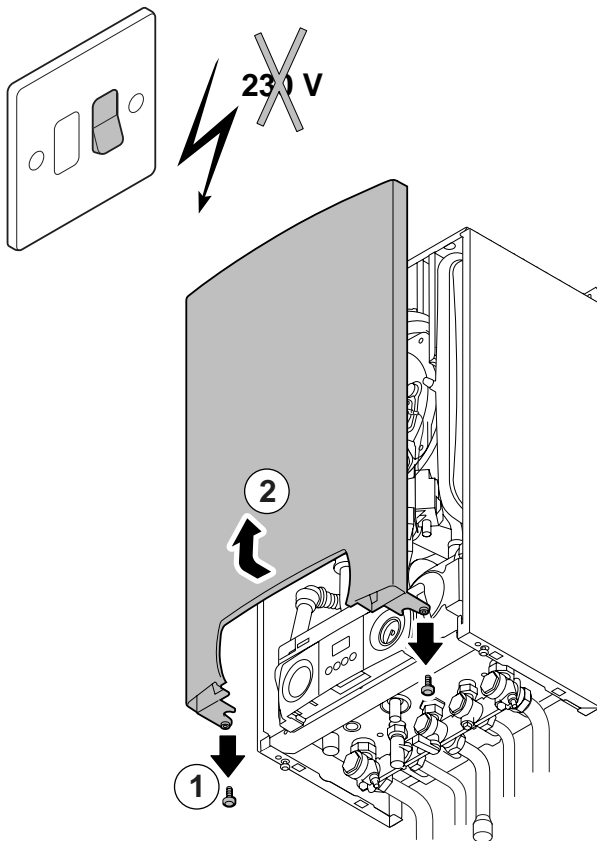
2.9.3 Putting the boiler into operation

This section details the procedure for putting the boiler into operation. There are 7 stages to the procedure:

1. Isolating the power supply and opening the front cover;
2. Checking the connections and making the boiler operational;
3. Switching the boiler on and setting the controls;
4. Checking/setting the gas/air ratio at full load;
5. Checking/setting the gas/air ratio at low load;
6. Making the boiler ready for use;
7. Instructing the user.


1. Isolating the power supply and opening the front cover

- Switch off the boiler at the fused spur and remove the fuse;
- Remove the front panel (release the two screws at the bottom of the front panel, pull the bottom of the panel; forward and lift off the two pins on the top of the main casing).

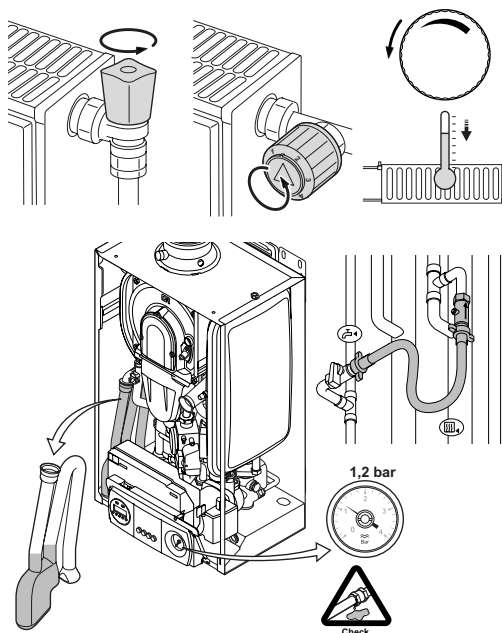


LT.AL.W7H.000.037


2. Checking the connections and making the boiler operational

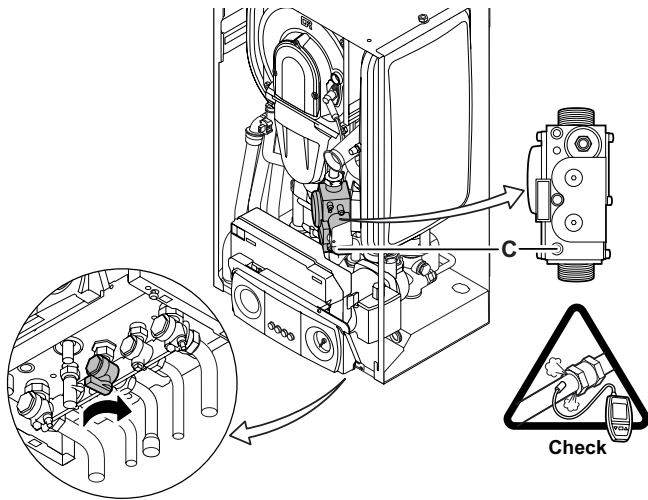
 Open the valves on all the radiators connected to the central heating system before filling the system with water.

- Open the valves on all the radiators connected to the central heating system;
- Fill the system with water to the design operating pressure (normal for a one/two storey house 1.2 bar, minimum pressure 1 bar, maximum pressure 2.5 bar);
- Whilst filling, air from the system will escape through the automatic air vents and the pump.

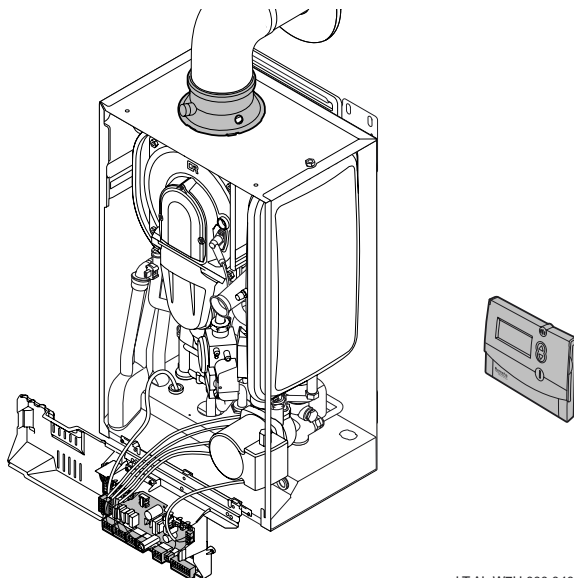


LT.AL.W7H.000.038

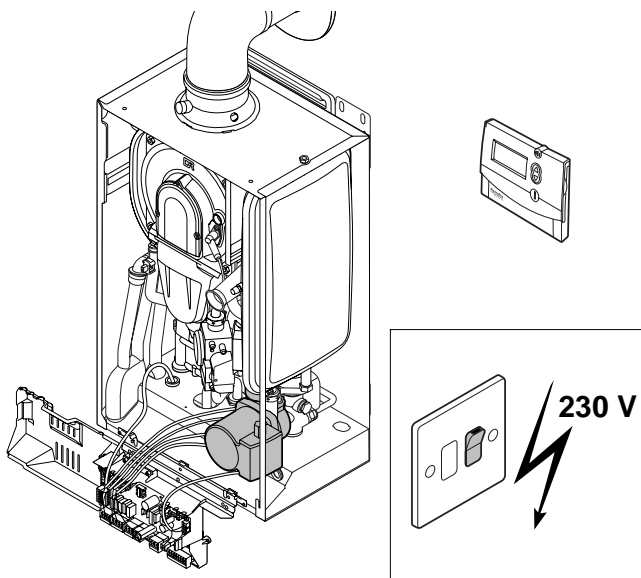
-  When the vent caps start leaking water, close them with the vent caps supplied attached to gas combination block and replace the leaking vent cap(s) as soon as possible.
- Avoid water getting into the boiler.
- Check the condensate siphon. This should be filled to the mark with clean water if necessary.



LT.AL.W7H.000.039



LT.AL.W7H.000.040



LT.AL.W7H.000.041


- Check the integral boiler pump – remove chrome centre screw to vent pump and spin the shaft to check that the impellor can move freely;
- Check that all boiler connections are watertight;
- Open the boiler gas valve and check the static pressure to the boiler at the measurement point (C) on the gas block.

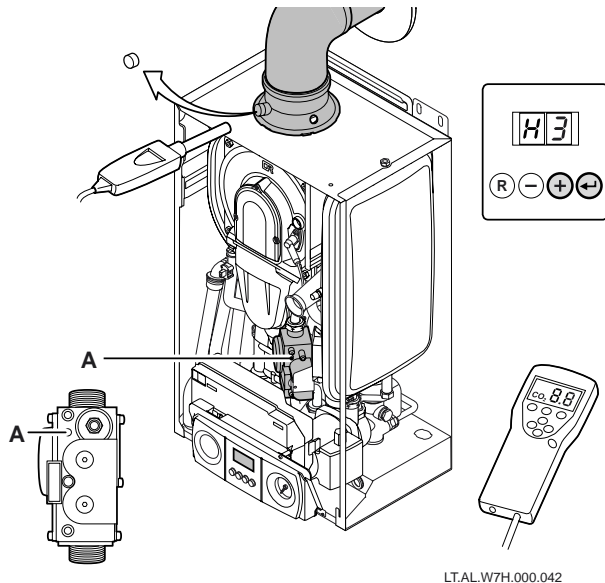


The boiler has been factory tested for natural gas at 20 mbar. The minimum gas inlet pressure is 17 mbar for natural gas.

- Check that the gas supply to the boiler is gas tight (in compliance with the current regulations, see *Chapter 7* the maximum test pressure at the gas pipe inlet, with the boiler gas valve open, is 60 mbar.
- Vent the gas pipe by unscrewing the measurement point (C) on the gas block (tighten it again as soon as the pipe is fully vented).
- Check that the gas connections in the boiler are sealed.
- Check that all electrical connections, including the earth connection, have been made correctly.
- Check the electrical connections to the thermostat and other external controls.
- Check that the flue-gas and air-supply connections are sealed.

3. Switching the boiler on and setting the controls

- Replace the fuse in the spur and switch on the 230 V power supply.
- Set the controls to heat demand.
- The boiler will begin an automatic venting-programme (which lasts approx. 3 minutes) and will do this every time the power supply is isolated.
- The boiler now starts to run. The operational status is shown in the display. The normal operating status finally shows  in the display.



4. Checking/setting the gas/air ratio at full load

The Avanta Plus boilers are suitable for both natural gas and propane firing. For the Avanta Plus 39c an optional propane-set is needed.

The boilers are supplied as standard set for natural gas (H), therefore the following procedure must be carried out BEFORE the boilers are fired and commissioned for the first time on propane:

- adjust the fan speed (for procedure; see Par. 2.9.8, for values; see table 06 and table 08) and;
- adjust the gas/air ratio (for values; see table 06 and table 08).

Setting values O ₂ /CO ₂ for natural gas H / L			
Boiler type	Fan speed (rpm)	O ₂	CO ₂
	Full load H 3 *)	%	%
24s	approx. 4300	5.2 ± 0.1	8.8 ± 0.1
28c	approx. 5500	5.2 ± 0.1	8.8 ± 0.1
35c	approx. 6300	5.2 ± 0.1	8.8 ± 0.1
39c	approx. 6700	5.2 ± 0.1	8.8 ± 0.1

table 05 Setting values full load CO₂ and O₂ (front panel not fitted)

Setting values O ₂ /CO ₂ for LPG (propane)			
Boiler type	Fan speed (rpm)	O ₂	CO ₂
	Full load H 3 *)	%	%
24s	approx. 4100	5.1 ± 0.1	10.5 ± 0.1
28c	approx. 5200	5.1 ± 0.1	10.5 ± 0.1
35c	approx. 5800	5.1 ± 0.1	10.5 ± 0.1
39c	approx. 6500	5.1 ± 0.1	10.5 ± 0.1

table 06 Setting values full load CO₂ and O₂ (front panel not fitted)

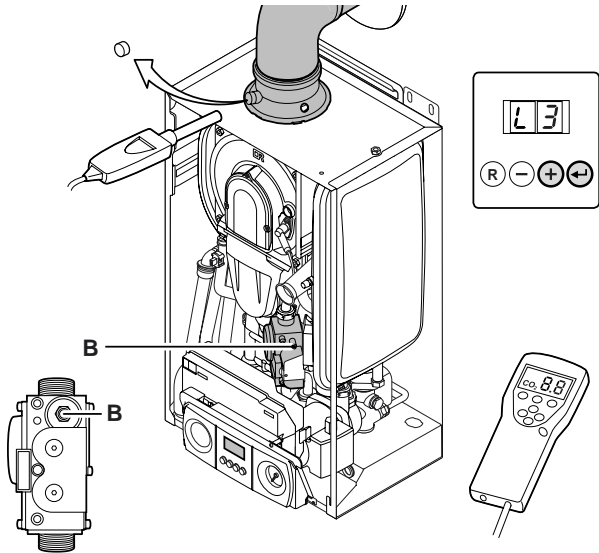
*) On forced full load, the 2nd digit indicates the operating code

- Unscrew the flue gas sampling cap and connect the flue gas analyser.
- Set boiler to full load;
- Press the **[enter]**- key, keep it pressed and also press the **[+]**-key until **H 3** appears in the display; full load has been set.
- Once the unit has reached the full-load fan speed, measure the O₂/CO₂-percentage and compare this to the values in table 05.
- If the values are not in accordance with the table then correct the gas /air ratio controls using the adjusting screw A on the gas block.
- If the value is too low turn the screw A anti clockwise; this increases the gas rate – if the value is too high turn the screw clockwise which decreases the gas rate
- Check the flame through the sight glass which should be stable with a regular blue distribution



Ensure that the analysing probe has a gas tight seal in the sampling point with the probe end in the centre of the flue duct.

5. Checking/setting the gas/air ratio at part load



LT.AL.W7H.000.043

Setting values O ₂ /CO ₂ for natural gas H / L			
Boiler type	Fan speed (rpm)	O ₂	CO ₂
	Part load [L 3] *)	%	%
24s	approx. 1300	5.2 ± 0,1	8.8 ± 0,1
28c	approx. 1300	5.2 ± 0,1	8.8 ± 0,1
35c	approx. 1300	5.2 ± 0,1	8.8 ± 0,1
39c	approx. 1300	5.2 ± 0,1	8.8 ± 0,1

table 07 Setting values part load CO₂ and O₂ (front panel not fitted)

Setting values O ₂ /CO ₂ for LPG (propane)			
Boiler type	Fan speed (rpm)	O ₂	CO ₂
	Part load [L 3] *)	%	%
24s	approx. 2000	5.1 ± 0.1	10.5 ± 0.1
28c	approx. 2000	5.1 ± 0.1	10.5 ± 0.1
35c	approx. 2000	5.1 ± 0.1	10.5 ± 0.1
39c	approx. 2000	5.1 ± 0.1	10.5 ± 0.1

table 08 Setting values part load CO₂ and O₂ (front panel not fitted)

*) On forced part load, the 2nd digit indicates the operating code.

- Set boiler to part load:
- Press the **[enter]**- key until [L 3] appears in the display, part load has been set.
- Once the unit has reached the part load fan speed, measure the O₂/CO₂-percentage and compare this to the value in *table 07*.
- If the values are not in accordance with the table then correct the gas /air ratio controls using the adjusting screw B on the gas block.
- If the value is too low turn the screw B clockwise; this increases the gas rate – if the value is too high turn the screw B anti clockwise which decreases the gas rate

Check the flame through the sight glass which should be stable with a regular orange distribution. Once the unit has been set to part load, the 'test at full load' should be repeated.

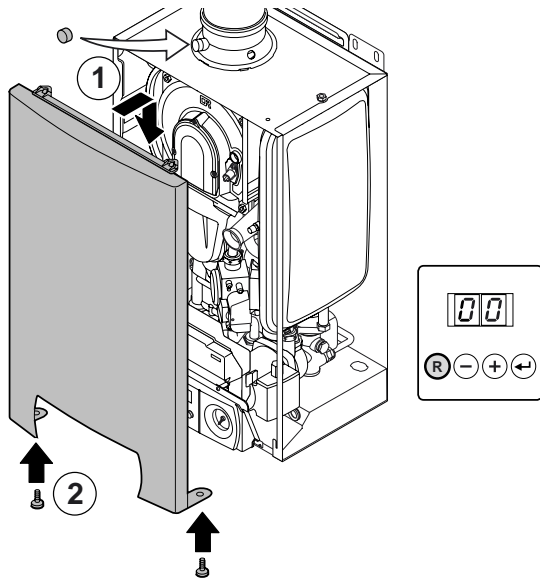


Ensure that the analysing probe has a gas tight seal in the sampling point with the probe end in the centre of the flue duct.

- Repeat the 'test at full load' and 'test at part load' as often as necessary until the correct values are achieved without further adjustments

6. Preparing the boiler for use

- Remove the analysing probe and replace the cap on the flue gas sampling point.
- Refit the front panel and secure with the two screws again.
- Press **[reset]**-key for the boiler to return to the normal operating mode.



LT.AL.W7H.000.044



Following a manual override the boiler will return to normal operating mode if no keys are pressed for 15 minutes.

- Run the boiler on heating until the system reaches approx 70°C
- Switch the boiler off (using the controls i.e. thermostat or time clock)
- Once the pump has turned off vent the system once again.
- Check the water pressure and add more water through the mains fill loop if necessary.
- Complete the type plate in the boiler by adding the gas type.
- Fill in commissioning sheet and log book data.

The boiler is now ready for operation.



The Remeha Avanta Plus is delivered pre-tested and operating parameters set up with standard factory settings to suit the most common systems. These setting can be adjusted to suit specific site conditions but must not be changed without reference to Broag or one of our approved contractors.

7. Instructing the user

- It is the responsibility of the installer as part of the commissioning procedure to instruct the user in the day to day operation of the boiler and controls fitted to the system and to hand over the completed Boiler Log Book and appropriate documentation.

2.9.4 Normal start-up procedure

- Switch on the boiler at the fused spur unit and ensure that the time control is in the on position and any other controls (i.e. room thermostat etc) calling for heat
- The boiler will begin its start sequence.

The following sequence will appear in the display:

- A display test will briefly appear showing all segments of the display.

F X X software version;

P X X parameter version;

- A venting cycle of 3 minutes now follows, the version numbers will be displayed alternately;

- Next, the following will appear in the display;

1 ; pre-purge stage

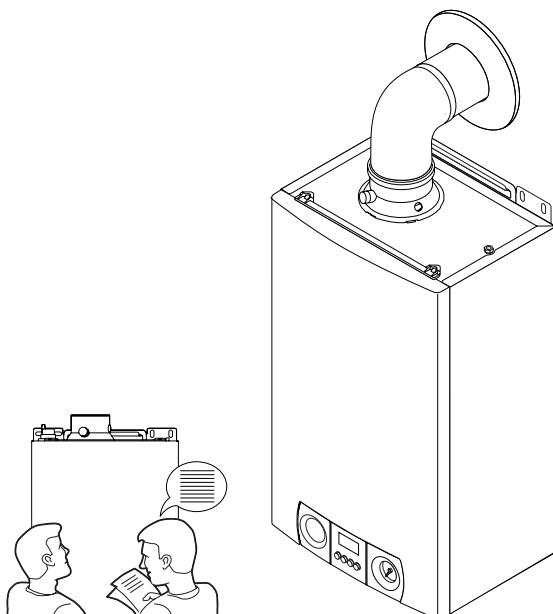
2 ; Ignition stage

3 ; operating in CH mode **or**

4 ; operating in DHW mode

7 ; pump run on after CH or DHW is satisfied

0 ; stand-by mode



LT.AL.W7H.000.045

2.9.5 Error during the start-up procedure

- If the display is blank (should show dots or letters), check:
 - 230 V main supply available to switch spur
 - switch spur fuse
 - cable and connections between the switched spur and the boiler control unit
 - fuse on the boiler control unit (F2 = 2AT, 230V)
- An error code appearing in the display can be recognised as follows:
 - $\boxed{E} \boxed{10}$, (the display alternately shows an \boxed{E} and a number e.g. $\boxed{10}$). The meaning of this error codes can be found in the error table, see *Chapter 4*.
- Resolve the error first if possible.
- Press the **[reset]**- key and hold for at least 1 second to restart the boiler.

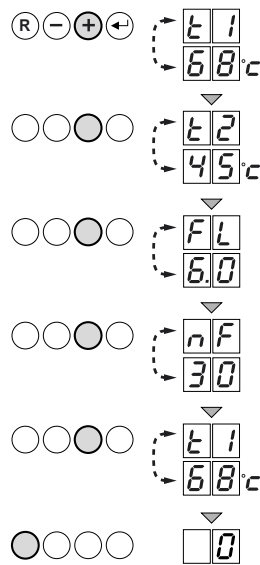


After any error $\boxed{E1}$, $\boxed{E2}$, $\boxed{E7}$, $\boxed{E10}$ or $\boxed{E13}$; the 3 minute venting cycle will run first before starting the boiler.

- Checking **DHW** function;
 - Turn on a hot water tap, the display shows;
 - $\boxed{1}$; pre-purge stage
 - $\boxed{2}$; Ignition stage
 - $\boxed{4}$; operating in DHW mode
 - Close the hot water tap, after a short time the display shows;
 - $\boxed{1}$; pre-purge stage
 - $\boxed{7}$; pump run on after CH or DHW is satisfied
 - $\boxed{0}$; stand-by mode
- Checking **CH** function;
 - Ensure the time control is in the CH on position
 - Set the room thermostat on a high demanding temperature and, the display shows
 - $\boxed{1}$; pre-purge stage
 - $\boxed{2}$; Ignition stage
 - $\boxed{3}$; operating in CH mode.
 - Set the room thermostat back to a lower temperature (no more heat demand), the display shows;
 - $\boxed{4}$; operating in DHW mode (boost to DHW plate on minimum load)
 - $\boxed{5}$; waiting-time; 3 to 10 minutes (only when flow temperature has already been reached and heating demand is still existing)
 - $\boxed{1}$; pre-purge stage
 - $\boxed{7}$; pump run on after CH or DHW is satisfied
 - $\boxed{0}$; stand-by mode



- If the boiler is set to the economy setting (see par. 2.9.8), it will not supply a boost to DHW after CH is satisfied. The display then shows; $\square\square i$; pre-purge stage $\square\square 6$; pump run on after CH $\square\square 0$; stand-by mode.
- If a two channel time clock is fitted and connected to a combi boiler and the time control for DHW is in the "OFF" position, the DHW production will be disabled unless the link between connectors 2 and 3 on the X2 terminal is fitted (normally factory fitted).



LT.AL.W7H.000.046

2.9.6 Read out settings

The following settings can be read out in the 'user menu':

- $t1$ = flow temperature [°C];
- $t2$ = return temperature [°C];
- $t3$ = boiler temperature [°C];
- $t4$ = outside temperature [°C];
- FL = ionisation current [μ A];
- nF = fan speed [rpm];

- Press the **[+]** key, until $t1$ appears and, for example, 68 (68°C), the current flow temperature;
- Press the **[+]** key again until $t2$ appears and, for example, 45 (45°C), the current return temperature;
- Press the **[+]** key again until $t3$ appears and, for example, 50 (50°C), the current boiler temperature;
- Press the **[+]** key again until $t4$ appears and, for example, 18 (18°C), the current outside temperature;
- Press **[+]** key again until FL appears and e.g. 60 ($6\mu\text{A}$), the present ionisation current;
- Press **[+]** key again until nF appears and e.g. 30 (3000 rpm), the present fan speed;
- Press **[+]** key again and the read-out cycle will start again with $t1$, etc.;
- Press **[reset]** key to return to the display with the current operating status.

2.9.7 Adjust the boiler according to the system

The operating parameters of the Remeha Avanta Plus have been factory set to suit most systems. However it is possible to adjust some of the parameters to enable the Remeha Avanta Plus to operate more efficiently to match specific system designs and site conditions. These parameters are split into two specific sections

1. User level – Parameters **P 1** to **P 6**; can be changed by the user to suit CH and DHW comfort conditions
2. Service level – **P 17** to **P 18**; must only be changed by Broag approved Engineer after consultation with the system designer.



How to change the parameters at user level can be read in the “User manual” provided and therefore will not be detailed in this Installation and Service manual.

2.9.8 Changing the parameters at service level (with access code)

To avoid non authorised adjustments, some parameter settings can only be changed once the special access code **i 2** has been entered. This code may only be used by qualified installers. The following settings can be changed at user and service level:

	Codes in display	Description	Setting range and notes where applicable	Factory settings			
				24s	28C	35C	39C
Can also be changed by users	P 1	T _{set} flow	20 - 85°C	75°C			
	P 2	T _{set} DHW	40 - 65°C	55°C			
	P 3	Boiler regulation	0 = CH _{off} and DHW _{off} 1 = CH _{on} and DHW _{on} 2 = CH _{on} and DHW _{off} 3 = CH _{off} and DHW _{on}	2	1	1	1
	P 4	Eco or comfort setting	0 = comfort setting 1 = eco mode* 2 = regulated by controller	0			
	P 5	Anticipated current	0 = no anticipated current for thermostat on/off 1 = anticipated current for thermostat on/off	2			
	P 6	Display off automatically	0 = display stays off 1 = display stays on 2 = displaylight switches off automatically after 3 minutes	2			

To be changed by installer only	P 17	Maximum fan speed CH (natural gas)	10 – 70 X 100 rpm	37 ¹⁾	37 ¹⁾	41 ¹⁾	50 ¹⁾
		Maximum fan speed CH (propane)	10 – 70 X 100 rpm	35 ¹⁾	37 ¹⁾	41 ¹⁾	48 ¹⁾
	P 18	Maximum fan speed DHW (natural gas)	Do not change ***	43 ¹⁾	55 ¹⁾	63 ¹⁾	67 ¹⁾
		Maximum fan speed DHW (propane)	Adjustments for propane firing	41 ¹⁾	52 ¹⁾	60 ¹⁾	65 ¹⁾
	P 19	Minimum fan speed (CH and DHW) (natural gas)	Do not change ***	13			
		Minimum fan speed (CH and DHW) (propane)	Adjustments for propane firing	20			
	P 20	Starting fan speed	Do not change	25	25	28	30
	P 21	Pump setting CH	0 = low 1 = high	0			
	P 22	Pump running time after CH	1 - 99 minutes	2			
	P 23	Connection with Heat Recovery Unit (HRU)	0 = no connection with HRU 1 = connection with HRU	0			
	P 24	State remote alarm (X7 terminal)	0 = off (connectors 1 and 2 closed) 1 = alarm signal (connectors 1 and 2 closed) 2 = run indication (connectors 1 and 3 closed) 3 = ext. gas valve (connectors 1 and 3 closed)	0			
	P 25	Legionella protection	0 = off 1 = on 2 = automatic (after putting boiler into operation, it will run for DHW operation 65°C once a week)	1	0	0	0
	P 26	DHW cut-in temperature	2 - 15°C	5			
	P 27	Heat curve set point flow temperature	0 - 60 °C	20			
	P 28	Heat curve set point outside temperature (min)	0 - 30 °C	20			
	P 29	Heat curve set point outside temperature (max)	-40 - 0 °C	- 15**			
	P 30	Boiler type	0 = combi 1 = system	1	0	0	0
	P 31	DHW control stop	0 - 20 °C	15			
	P d F (P d U is shown later)	Restore factory settings	On identification plate d F setting X is shown. Change parameter into X will restore the factory settings, see par. 2.9.10	X			
On identification plate d U setting Y is shown. Change parameter into Y will restore the factory settings, see par. 2.9.10			Y				

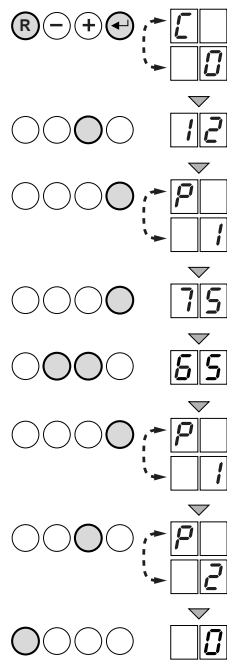
table 09 Settings at service level

¹⁾ Do not exceed this value

* the system boiler in combination with an external calorifier will not warm up the calorifier in the Eco-mode.

** minus character is not shown in display.

*** only change for propane firing.



LT.AL.W7H.000.047



Changing the factory settings could result in the boiler not working properly.

The parameters can be changed from the stand-by status as follows:

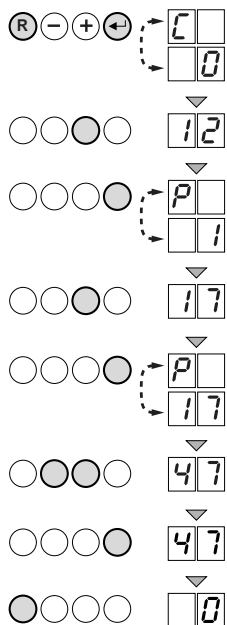
- Press the **[enter]**-key and briefly the **[reset]**- key until codes **[C]** and **[0]** appear alternately in the display.
- Press the **[+]**-key until access code **[12]** is displayed.
- Press the **[enter]**-key until **[P1]** appears (codes **[P]** and **[1]** are displayed alternately);
- This parameter can now be changed as follows;
- Press the **[enter]**-key; the set value for the maximum flow temperature now appears e.g.; **[75]** (75°C).
- Press the **[+]** or **[-]**-key to change this value, for example to **[65]** (65°C).
- Press **[enter]**-key to confirm the value; codes **[P]** and **[1]** are displayed alternately.
- Press the **[+]**-key to change the next parameter, etc.
- Press **[reset]**-key to return to the operating mode.



The boiler will automatically return to the normal operating mode if no keys are pressed for 10 minutes.

2.9.9 Changing the maximum output (Hi) for CH operation

The maximum output for CH operation can be changed with parameter **[P17]** (maximum fan speed) and is set standard to a speed of 3700, 4100 or 5000 rpm. See the speed-input ratio figures.

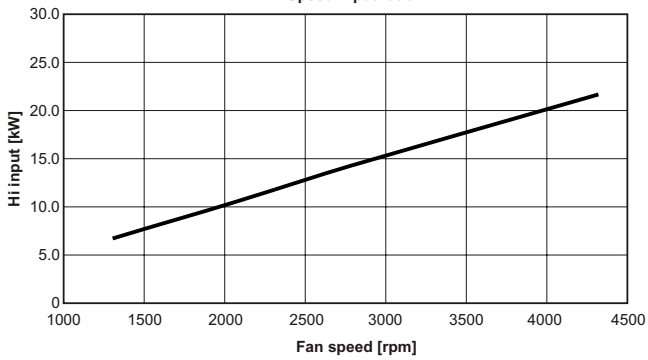


LT.AL.W7H.000.048

This parameter can be changed from the stand-by status as follows:

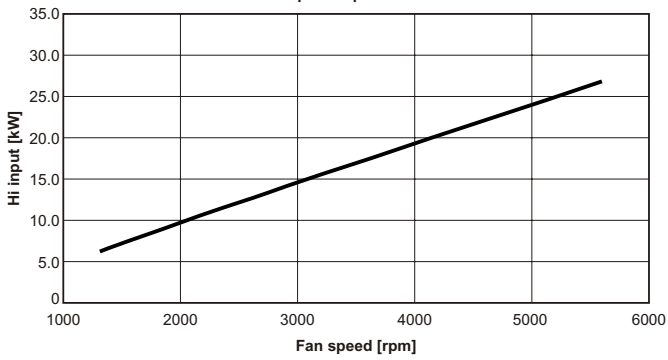
- Press the **[enter]**-key and briefly the **[reset]**- key until codes **[C]** and **[0]** appear alternately in the display.
- Press the **[+]**-key until access code **[12]** is displayed.
- Press the **[enter]**-key until **[P1]** appears (codes **[P]** and **[1]** are displayed alternately);
- Press the **[+]**-key to go to parameter **[17]**.
- Press the **[enter]**-key until **[P17]** appears (codes **[P]** and **[17]** are displayed alternately);
- Press the **[+]** or **[-]**-key to change this value for Avanta Plus 28c, for example to **[46]** (4600 rpm corresponds with 22 kW).
- Press **[enter]**-key to confirm the value.
- Press **[reset]**-key to return to the operating mode.

Avanta Plus 24s
Speed-input ratio



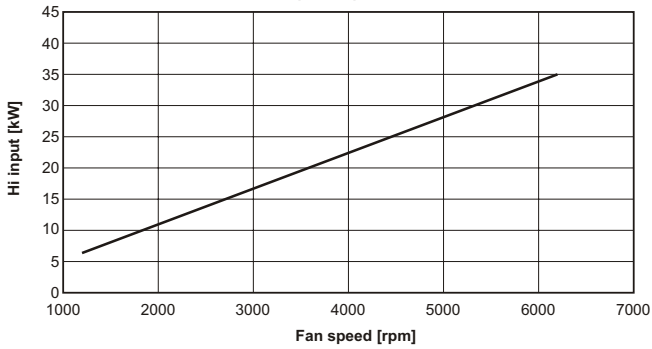
LT.AL.W7H.000.049

Avanta Plus 28c
Speed-input ratio



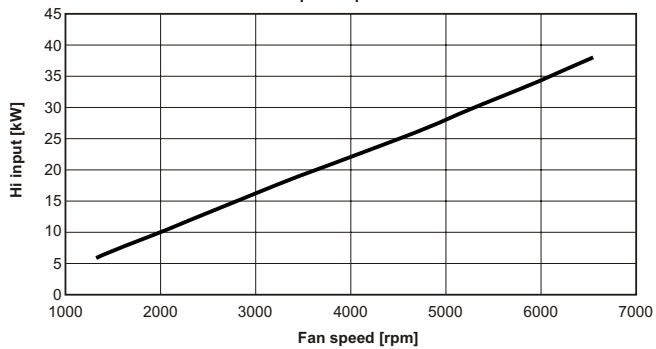
LT.AL.W7H.000.050

Avanta Plus 35c
Speed-input ratio



SPEED RATIO 35C

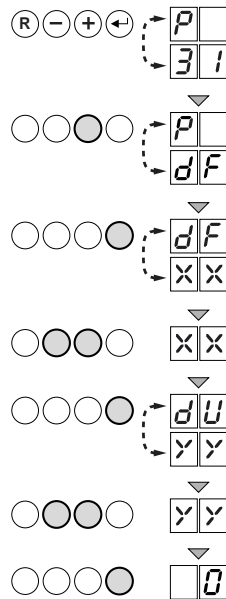
Avanta Plus 39c
Speed-input ratio



LT.AL.W7H.000.051

2.9.10 Restore factory settings

The factory settings can be restored in the service level as follows:



LT.AL.W7H.000.052

1. After parameter **P 3 1** has shown, press the **[+]**-key; **d F** and **X X** appear alternately;
2. Press **←**-key; **X X** appears;
3. Read boiler identification plate for value of **d F**; press **[+]** or **[-]** key to reach this value;
4. Press **←**-key to confirm; **d U** and **Y Y** appear alternately;
5. Read boiler identification plate for value of **d U**; press **[+]** or **[-]** key to reach this value;
6. Press **←**-key to confirm; boiler restarts with original factory settings.

2.10 Putting the boiler out of operation

The boiler must be switched off and allowed to cool down before any maintenance or repairs are carried out. If the central heating system is not going to be used for a long time (during the holidays, for instance, or frost-free periods) it is advisable to put the boiler out of operation.

2.10.1 Boiler with frost protection, during longer periods of non-use

- Set the room thermostat to a low temperature, e.g. 10°C,
- Switch setting **P 4** to **1** (Eco mode), this will switch off the heat retention function.

Now the boiler will only start working to protect itself against freezing. With external frost protection, the boiler can also prevent the central heating system from freezing.

2.10.2 Boiler without frost protection, during longer periods of non-use

- Turn time clock off and allow system to cool down then isolate mains power supply at the fused spur unit.
- Isolate the gas supply at the boiler valve.



Drain the boiler and central heating system if you will not be using the home for a long period and there is a chance of night frost.

3 INSPECTION AND MAINTENANCE

The Remeha Avanta Plus is practically maintenance free but should be inspected annually.



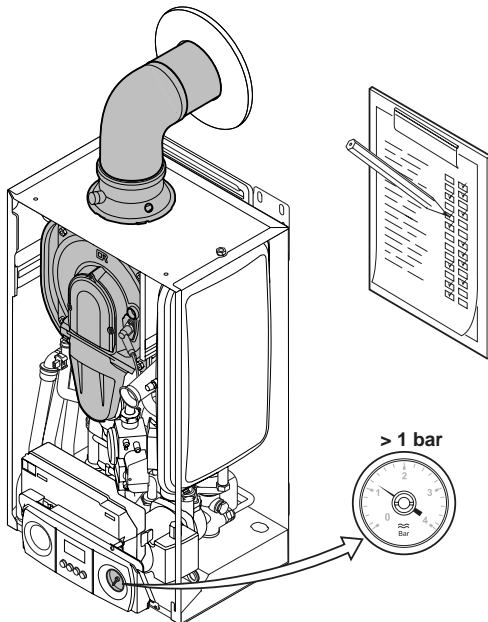
If during the annual inspection the flue gas analysis indicates that the values are outside the figures given in *table 10*, maintenance work should be carried out as described in *par.3.2*. Also carry out maintenance if the ionisation read-out value is lower than 3 or higher than 9 μ A, or when the flame core is not satisfying.

Only Remeha spare parts/materials should be used. All service and maintenance must be carried out by a qualified Engineer with the relevant training and certification (i.e. CORGI - ACS - IEE registrations etc).

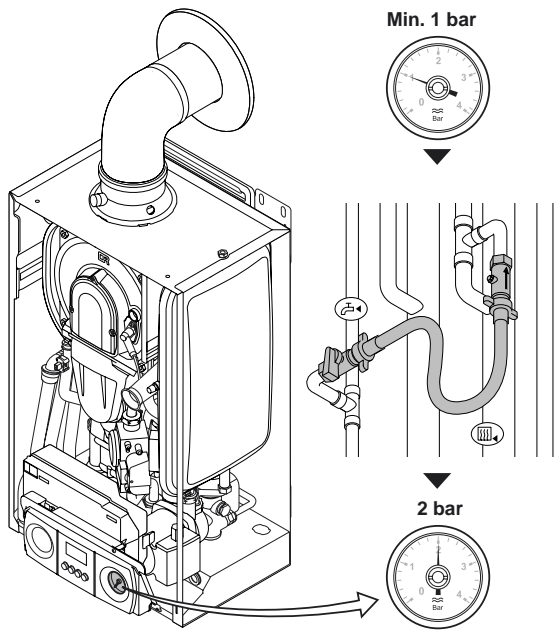
3.1 Inspection

The annual inspection of the Remeha Avanta Plus can be limited to the following checks:

- check the water pressure, see *par. 3.1.1*;
- check the flue pipes and air supply pipes for leaks, see *par. 3.1.2*;
- check and clean (if necessary) the condensate siphon, see *par.3.1.3*;
- check the ignition electrode and ionisation, see *par. 3.1.3*;
- check the combustion and flame colour, see *par. 3.1.5*;
- fill in the Boiler Log Book.



LT.AL.W7H.000.053



LT.AL.W7H.000.054

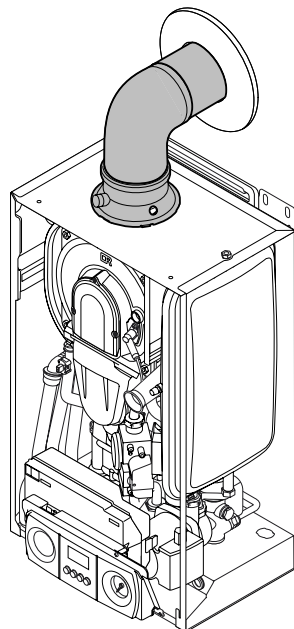
3.1.1 Checking the water pressure

The water pressure should be checked against the commissioning entry in the Boiler Log Book (min 1 bar)

- If necessary, re-fill system to design pressure and re-set red pointer to match fill pressure 2 bar.



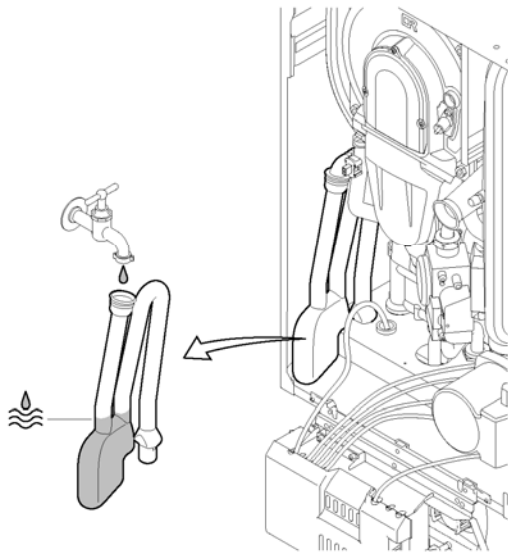
Check system for leaks if the system needs re-filling more than 3 times per year.



LT.AL.W7H.000.055

3.1.2 Checking the flue pipes and air supply pipes for leaks

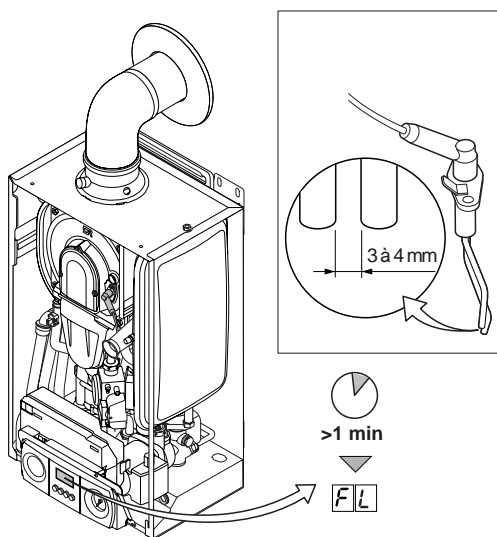
- Check that the flue and air-supply connections and pipes are sealed and the terminal exit is clear.



LT.AL.W7H.000.0233

3.1.3 Checking the condensate siphon

- Check the condensate siphon. Remove any dirt residues and refill with clean water to the mark.



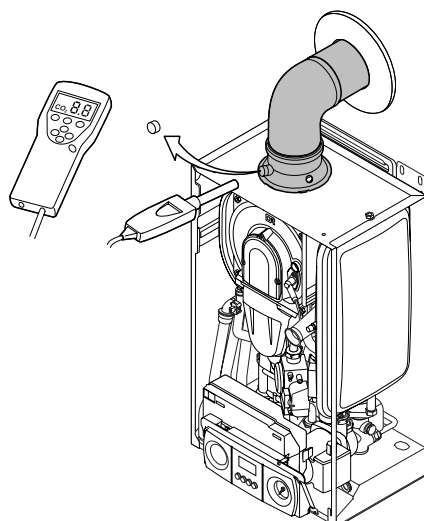
LT.AL.W7H.000.056

3.1.4 Checking the ignition electrode

- Check the ionisation /ignition electrode for:
 - deposits (remove any white deposits with abrasive cloth);
 - the adjustment of the ignition electrode (between 3 and 4 mm);
 - the quality of the gasket and condition of the porcelain (this should not be cracked);
- Check the ionisation current after 1 minute on the display code **FL**, see par. 2.9.6.
If the read-out value is lower than 3 or higher than 9µA, check cable and connections are sound if OK replace the ignition electrode.



The ignition cap is fixed on the ignition electrode and therefore cannot be removed.



LT.AL.W7H.000.057

3.1.5 Checking the combustion

- Measure the O₂/CO₂ percentage and the flue gas temperature at the flue gas sample point.

Do this as follows:

- heat the water temperature in the boiler to approx. 70°C;
- unscrew the top of the flue gas point of measurement;
- measure the O₂/CO₂ percentage and compare this to the check values in table 10.



Ensure that the analysing probe has a gas tight seal in the sampling point with the probe end in the centre of the flue duct.





Checking values O ₂ /CO ₂ for natural gas H / L				
Boilertype	Fan speed (rpm)		O ₂	CO ₂
	Full load  	Part load  	%	%
24s	ca. 4300	ca. 1300	5.2 ± 0.2	8.8 ± 0.3
28c	ca. 5500	ca. 1300	5.2 ± 0.2	8.8 ± 0.3
35c	ca. 6300	ca. 1300	5.2 ± 0.2	8.8 ± 0.3
39c	ca. 6700	ca. 1300	5.2 ± 0.2	8.8 ± 0.3

table 10 Checking values O₂/CO₂ (front panel not fitted)





Checking values O ₂ /CO ₂ for LPG (propane)				
Boilertype	Fan speed (rpm)		O ₂	CO ₂
	Full load  	Part load  	%	%
24s	ca. 4100	ca. 2000	5.1 ± 0.2	10.5 ± 0.3
28c	ca. 5200	ca. 2000	5.1 ± 0.2	10.5 ± 0.3
35c	ca. 5800	ca. 2000	5.1 ± 0.2	10.5 ± 0.3
39c	ca. 6500	ca. 2000	5.1 ± 0.2	10.5 ± 0.3

table 11 Checking values O₂/CO₂ (front panel not fitted)



The O₂/CO₂ - values in table 10 are **checking** values. For **setting** values see table 05 and table 07.

If the flue gas analysis readings are within the values in table 10 the boiler combustion is OK. However if the readings are outside the given values, then adjust the gas air ratio control to the given values, see table 05 and table 07 in par.2.9.3.

If the adjustments cannot achieve the mentioned values, the boiler will require a full service please refer to the maintenance instructions in par. 3.2.

- check the flame via the inspection glass; in full load the flame should be stable with an even blue colour and in part load should be stable with an even orange colour.

3.2 Maintenance

To conduct maintenance:



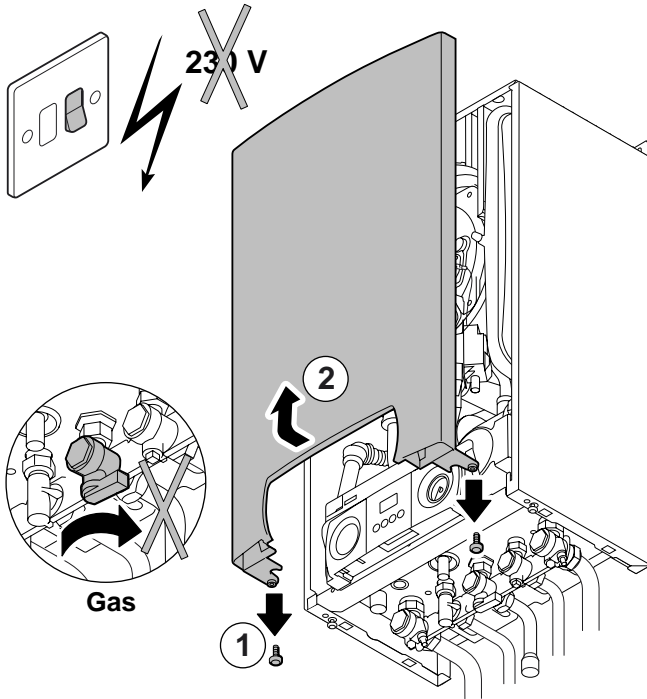
Ensure that a service gasket set and new ignition/ionisation electrode is available before carrying out this procedure.



- Isolate power supply at the fused spur before carrying out any work on the boiler.

1. Open the boiler

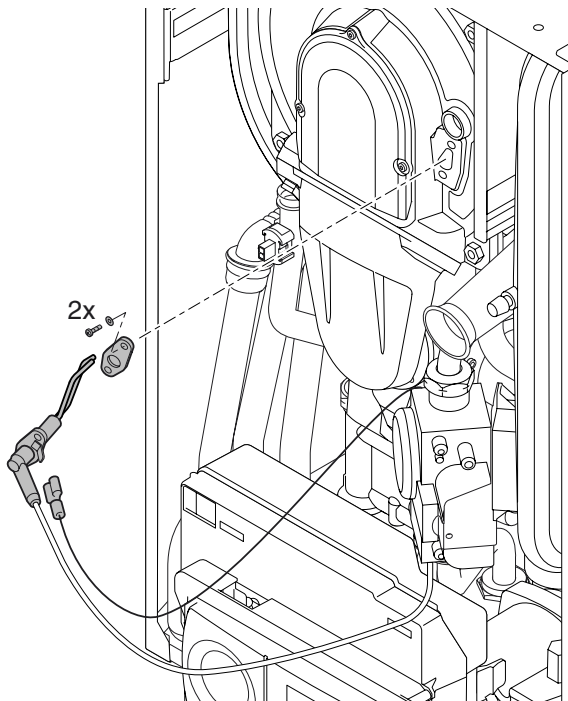
- Isolate the 230 V supply at the switched spur and remove the fuse
- Isolate the gas supply at the boiler gas valve
- Remove the front panel (release the two screws at the bottom of the front panel, pull the bottom of the panel forward and lift off the two pins on the top of the main casing).



LT.AL.W7H.000.058

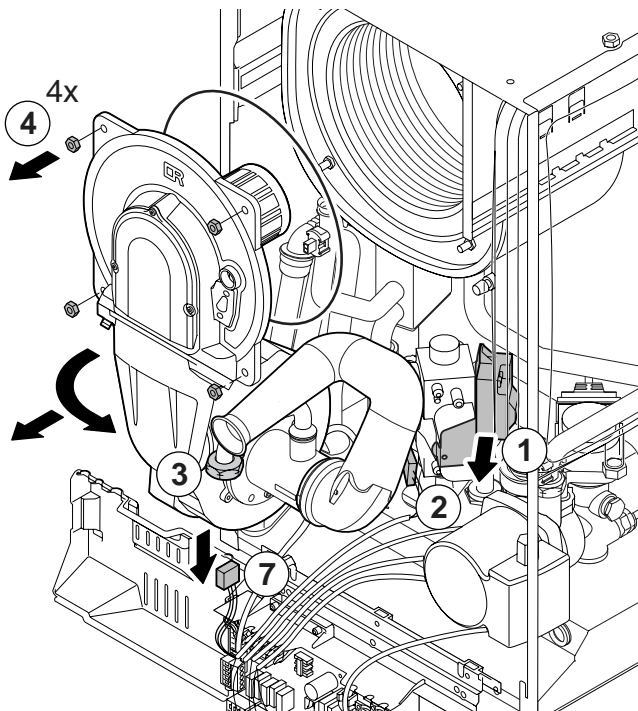
2. Maintenance of the ignition/ionisation electrode

- Disconnect the earth wire from the electrode mounting plate.
- Release the two screws on the electrode and remove the assembly.
- Inspect, clean re-gap or replace the electrode, see *par* 3.1.3.



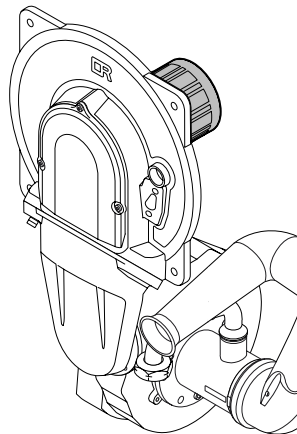
LT.AL.W7H.000.059

3. Dismantling the front plate of the heat exchanger



LT.AL.W7H.000.060

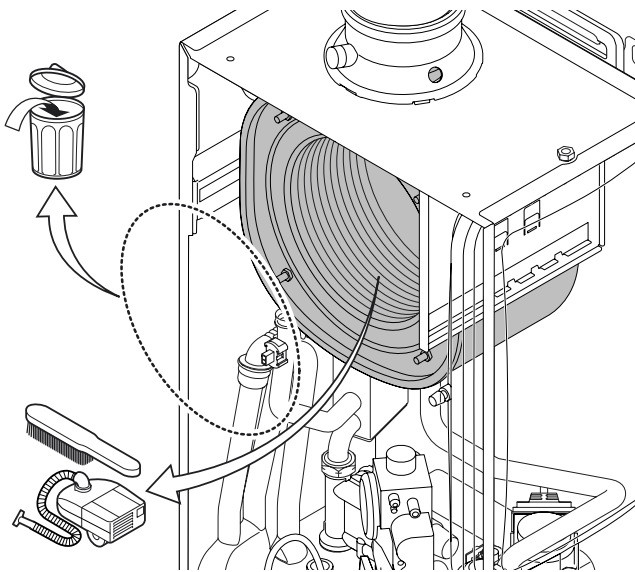
- Release the ignition transformer mounting plate and remove it completely.
- Disconnect the electrical connection on the gas block.
- Release the union nut from the gas pipe on the outlet to the gas block.
- Release the four nuts on the heat exchanger front plate
- Carefully pull the front plate assembly c/w fan, gas block, venturi pipe and burner unit away from the heat exchanger by approx. 10 cm.
- Disconnect the electrical plug on the back of the fan, so it becomes accessible.
- Remove the front plate assembly completely.



LT.AL.W7H.000.061

4. Maintenance to the burner

- Carefully clean the burner with pressured air (do not keep the nozzle too close to the surface).
- Visual inspection of the burner for any damages or cracks on the surface. If you see any damages, then replace the burner.



LT.AL.W7H.000.062

5. Maintenance to the heat exchanger (CH)

- Check the seal between the front plate and the heat exchanger and the insulation section. Replace sealing.
- Handle the fragile front-plate insulation and the back-plate insulation of the heat exchanger with great care and do not let them get wet.
- Visual inspection of the heat exchanger for scale or dirt. If you see obvious deposits, than clean the heat exchanger carefully. Carefully remove any loose dirt with a vacuum cleaner.
- Then brush the coils of the heat exchanger (if required a cleaning brush is available as an accessory) and remove the loosened particles with a vacuum cleaner.

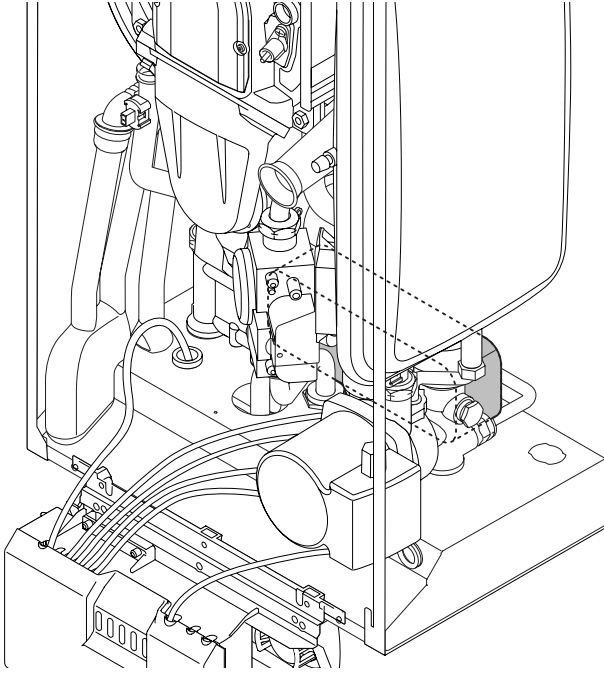
6. Cleaning plate heat exchanger (DHW) and non return valve with filter

Scale deposits on the plate heat exchanger cannot be totally excluded, depending on such variables as tap water quality and operation mode.

We recommend annual inspections under standard circumstances. Please note that following factors may influence the frequency of inspection:

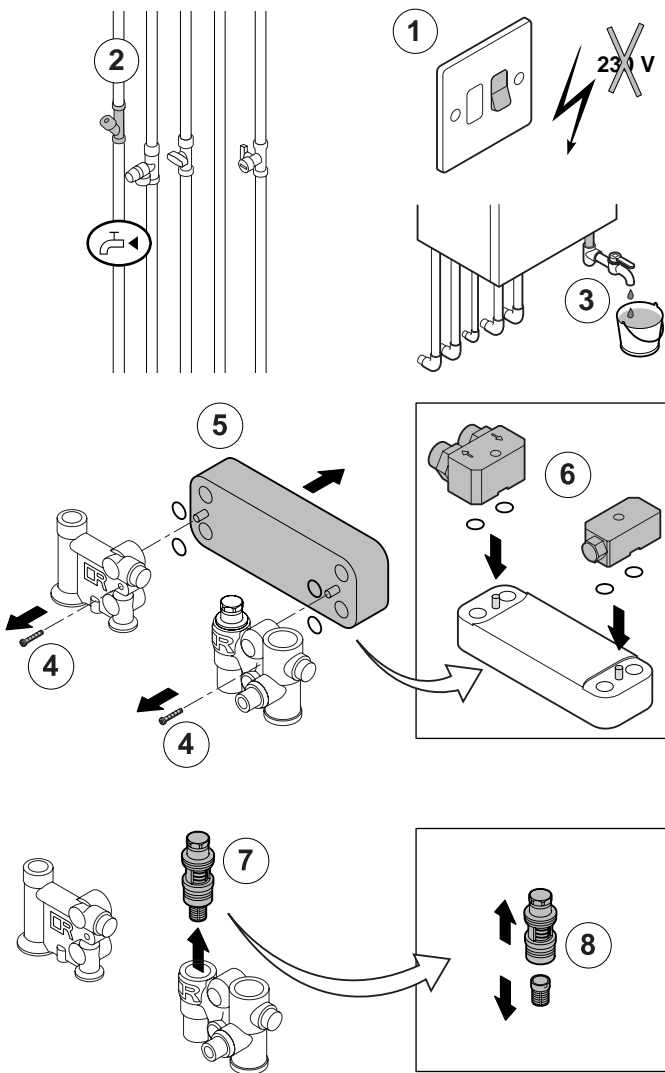
- Water hardness
- Chemical composition of scale deposit
- Boiler operation hours
- DHW usage pattern
- DHW set temperature

Remeha Avanta Plus



If a cleaning operation becomes necessary, please proceed as follows:


- Turn off the mains cold water supply and drain off the residual DHW;
- Release two socket head screws and remove plate heat exchanger;
- Clean plate heat exchanger with scale solvent (e.g. citric acid, pH 3); a special cleaning tool (optional accessory) can be used;
- Thoroughly cleaning afterwards with clean water;
- Remove non return valve with filter from on the right hand side of the hydro block and also clean with the scale solvent; afterwards thoroughly cleaning with clean water.




LT.AL.W7H.000.231 + LT.AL.W7H..000.232

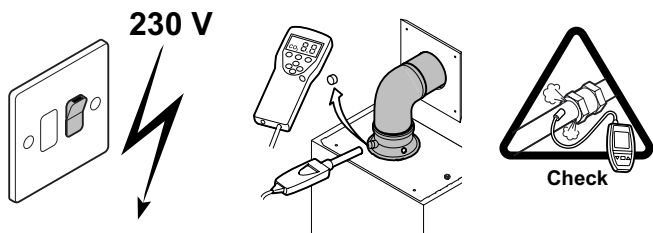
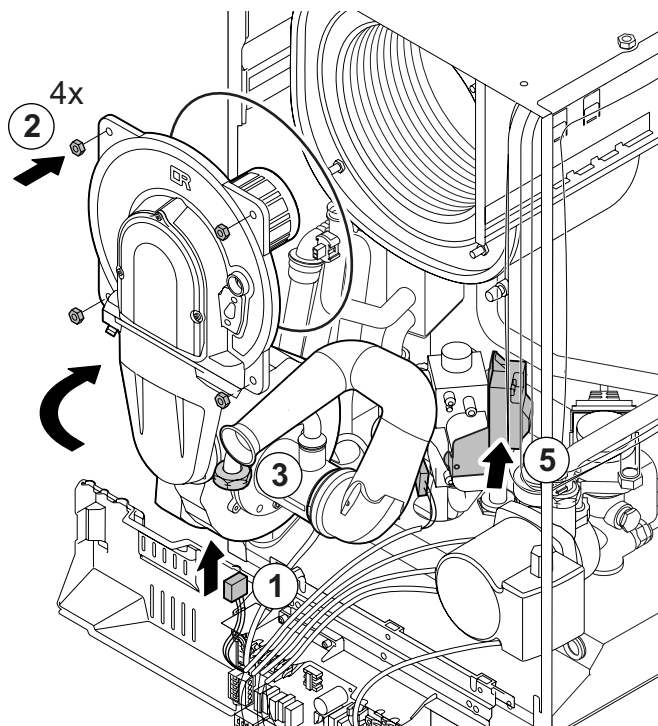
7. Re-Assembling the boiler and checking the combustion

- Re-assemble all the components in reverse order.

 Check that the packing between the front plate and the heat exchanger has been fitted correctly.

- Fill the system with water.
- Switch the boiler back on.
- Check the CO₂/O₂-percentage, 2.9.3, *point 4*.
- Check the ionisation current by reading the display, see *par.3.1.3*
- Check the connections on the gas block on gas-leaking.

 Fill in the Boiler Log Book after conducting any maintenance.




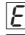

LT.AL.W7H.000.063

4 ERRORS

4.1 General

The Remeha Avanta Plus has an advanced control unit. The heart of this control unit is a microprocessor, the **abc**[®]-control which both controls and protects the boiler. If an error is detected anywhere in the boiler, it will lock-out and an error code will appear in the display.

4.2 Error codes

The Remeha Avanta Plus displays the error codes as follows:  (the display alternately shows an  and a number e.g. ) The meaning of the various error codes can be found in the error table, see *table 11*.



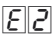
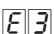
How to deal with errors:

- Make a note of the displayed error code.



The error code is important for the correct and swift detection of the nature of the error and for possible support from our technical help line 0118 978 3434.

- Press the 'reset' key for 3 seconds. If the error code continues to appear, look for the cause in the error table below and resolve it.

Error code	Description	Possible cause	Check / solution
	Flow or return sensor fault.	Short circuit in the flow, return or boiler temperature sensor.	Check the wiring and the connections of the sensors visually: are the plugs all correctly in position? With a multimeter: measure the resistance in the wiring and connection.
		Defective or not (properly) connected flow, return or boiler temperature sensor.	Check that the sensors are working; take the sensors out * and measure the resistance with a multimeter at room temperature (20 - 25°C); the sensor is working properly if the resistance is between 12 and 15 kΩ.
	Flow temperature is higher than the set maximum temperature	Insufficient water.	Check the minimum water pressure, read off the gauge.
		No through flow.	Check that the pump is working; turn the spindle with a screwdriver, if that works but the pump still does not respond, check the wiring; if that is in order the pump is faulty.
		Too much air in the system.	Vent the system.
		Deviation in the flow or return temperature sensor.	Check that the sensors are working; take the sensors out * and measure the resistance with a multimeter at room temperature (20 - 25°C); the sensor is working properly if the resistance is between 12 and 15 kΩ.
	Return temperature is higher than the flow temperature	Insufficient water.	Check the minimum water pressure, read off the gauge.
		No through flow.	Check that the pump is working; turn the spindle with a screwdriver, if that works but the pump still does not respond, check the wiring; that is in order the pump is faulty.
		Too much air in the system.	Vent the system.
		Sensors not wired correctly	Check the wiring between sensors and control unit.
		Deviation in the flow or return temperature sensor.	Check that the sensors are working; take the sensors out * and measure the resistance with a multimeter at room temperature (20 - 25°C); the sensor is working properly if the resistance is between 12 and 15 kΩ.
	Control unit or earth fault	Mains supply not correctly earthed. Control unit faulty.	Check that the power supply from the switch spur is properly earthed, if that is the case the control unit is faulty.

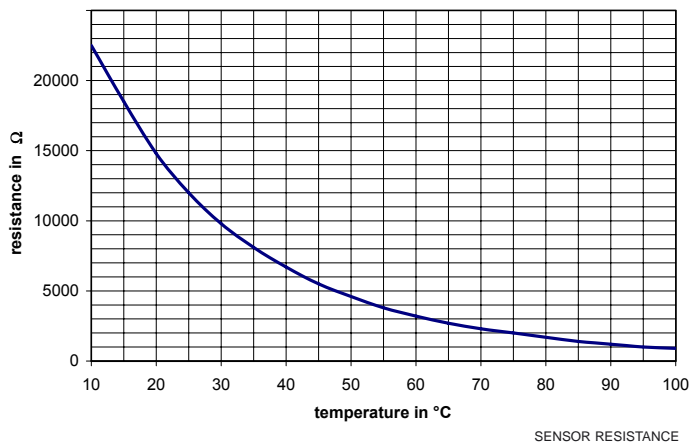
Error code	Description	Possible cause	Check / solution
E4	More than 5 start attempts without any flame formation.	No ignition spark.	Check: <ul style="list-style-type: none"> the connection between the ignition wire and the ignition trafo; the ignition wire and electrode for 'dielectric breakdown'; the inter-electrode distance, this should be 3-4 mm; that the ignition electrode is properly earthed.
		A spark but no flame.	Check that: <ul style="list-style-type: none"> the gas tap is open; the gas pre-pressure is sufficient; the gas pipe is de-aerated; the gas valve is energised during ignition and opens; the electrode is correctly fitted and clean; the CO₂ adjustment at low and full load; there is no obstruction / fitting fault in the gas pipe; there is no obstruction in the air supply or flue (e.g. a blocked siphon); there is no recirculation of flue gasses (either inside or outside the boiler).
		There is a flame but no, or insufficient ionisation (lower than 3 or higher than 9 µA)	Check: <ul style="list-style-type: none"> the flame, is the heart of the flame visible and the flame stable? the CO₂ adjustment at low and full load; that the ignition electrode is correctly earthed; visual check of the ignition/ionisation electrode: look for white oxide film (remove with sandpaper or a screwdriver); look at the shape (are the pins still the original shape and is the distance between the two ends of the pins between 3 and 4 mm).
E5	No ionisation or ionisation failure more than 5 times during one heat demand.	CO ₂ wrongly adjusted	Check: <ul style="list-style-type: none"> CO₂ adjustment on the gas block; ignition/ionisation pin; flue/air-supply connections; gas flow at full load; if there is no recirculation of flue gasses (either inside or outside the boiler).
E6	Unwanted flame formation		Faulty control unit, replace control unit.
E7	No water in the boiler or the pump is not working	Insufficient water.	Check the minimum water pressure, read off the gauge and check for leaks.
		No through flow.	Check that the pump is working; turn the spindle with a screwdriver, if that works but the pump still does not respond, check the wiring; that is in order the pump is faulty.
		Too much air in the system.	Vent the system.
		Wrong pump wiring.	Check wiring from and to control unit.
E8	Fan fault	Fan is not working	Check: <ul style="list-style-type: none"> fan function; fan wiring and connection.
		Fan does not stop	Check: <ul style="list-style-type: none"> fan function; fan wiring and connection; excess chimney draught.
E10	No through flow during venting cycle	Insufficient water.	Check the minimum water pressure, read off the gauge and check for leaks.
		No through flow	Check that the pump is working; turn the spindle with a screwdriver, if that works but the pump still does not respond, check the wiring; that is in order the pump is faulty.
		Too much air in the system.	Vent the system.
		Wrong pump wiring.	Check wiring from and to control unit.

Error code	Description	Possible cause	Check / solution
E111	Air box temperature to high	Air leakage from heat exchanger to air box	Check: <ul style="list-style-type: none"> The sealing of the viewing glass; Whether front plate of heat exchanger is properly tightened Front plate sealing; Whether ignition electrode is properly fitted
E133	Heat-exchanger fuse protection has responded; replace the heat exchanger after finding and solving the cause.	Heat exchanger faulty.	Check wiring between heat exchanger fuse.
		Insufficient water.	Check the minimum water pressure, read off the gauge and check for leaks.
		No through flow.	Check that the pump is working; turn the spindle with a screwdriver, if that works but the pump still does not respond, check the wiring; that is in order the pump is faulty.
E433	Parameter limits	Automation settings	Replace $\square F / \square U$ settings, see Par. 2.9.10 If this error code still returns after resetting; please contact Broag.
E444	Parameter check	Automation settings	Replace $\square F / \square U$ settings, see Par. 2.9.10 If this error code still returns after resetting; please contact Broag.
E455	Default parameters	Automation settings	Replace boiler control unit.

table 12 Error codes

* When sensors have been taken out, be sure to replace them max. 40 mm underneath heat exchanger.

Temperature/resistance diagram



If you read out a not listed error, please report to Broag.

4.3 Control stop or lock-out

The code $\square 8$, $\square 5$ or $\square 9$ can appear in the display.

- Code $\square 8$ is a control stop and will appear if the measured flow temperature ($\square 1$) is higher than the flow temperature set ($T_{\text{set flow}}$). The boiler will start working again automatically once the flow temperature falls below the flow temperature set.
- Code $\square 5$ is a control stop from 3 till 10 minutes and appears if the set flow temperature ($\square 1$) has already been reached and the heating demand still exists.
- Code $\square 9$ is a lock-out and appears if the maximum temperature rise is exceeded or if the ΔT between the supply and return temperature $\geq 45^{\circ}\text{C}$ or a rate of rise in the flow temperature $> 1^{\circ}\text{C}/\text{sec}$. And also at a boiler-start with no through flow or insufficient water. The boiler will try to restart after 10 minutes.



Every 10 minutes the boiler will try to restart until the cause has been removed.

- Code $\square 9$ is a lock-out and can appear in the following situation:
 - the lock-out down input (between terminals 5 and 6 on X9) has been activated (= opened).



The lock-out will disappear once the cause has been removed!

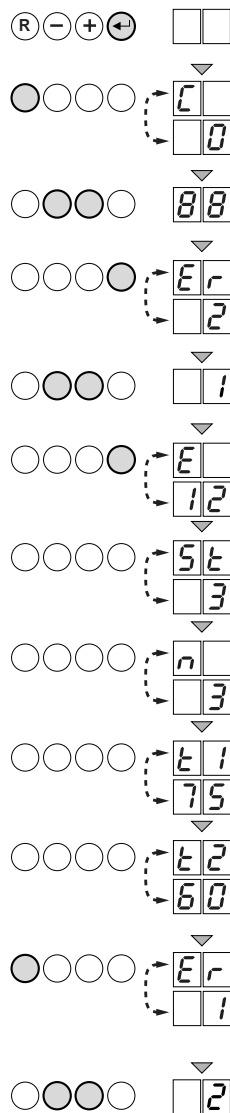
4.4 Error memory

The Remeha Avanta Plus control unit has an error memory, in which the last 16 errors are stored. In addition to the error code (E) and a number (XX).

The following data is also stored:

- the number of times the error occurred (n) and a number (XX)
- the operating status of the boiler (SE) and a number (XX)
- the flow temperature (T1) and the value (XX) return temperature (T2) and the value (XX) at the time the error occurred.

To get access to the error memory, access code must be entered.



LT.AL.W7H.000.064

4.4.1 Error read outs

- Press the **[enter]**-key and keep it pressed;
- Press the **[reset]**-key until codes E and 0 appear alternately in the display;
- Enter the special access code 88 with the **[+]** or **[-]**- key;
- Press the **[enter]**-key; the display shows Er and the number of the last error alternately, for example 02.
- Press the **[+]** or **[-]**-key to go forwards or backwards in the list of errors.
- Press the **[enter]**-key to take a closer look of the error. The display shows the error code as follows;
 - first error code E with error number e.g. 12
 - then status code SE with status number e.g. 3 (burning for central heating)
 - then number of time that the error has occurred n and a number e.g. 3
 - then the flow temperature when the error occurred T1 and temperature e.g. 75
 - final the return temperature when the error occurred T2 and temperature e.g. 60
- This cycle continues to repeat itself.
- Press the **[reset]**-key to stop the cycle; the following appears in the display; Er and the last viewed errors e.g the numbers 1 and 8.
- Press the **[+]** or **[-]**-key to look at the following error data.

4.4.2 Deleting errors

The last message in the list, Er followed by LL will appear in the display;

- Press the **[enter]**-key again, and the following will appear in the display: 0
- Press the **[+]**-key to set the parameter to 1.
- Press the **[enter]**-key, to delete the error memory;
- Press the **[escape]**-key twice to exit the error memory.



When tracing an error, the cause can often be found more quickly if the operating status at the time the error occurred can be retrieved from the error memory.

5 SERVICE PARTS

5.1 General

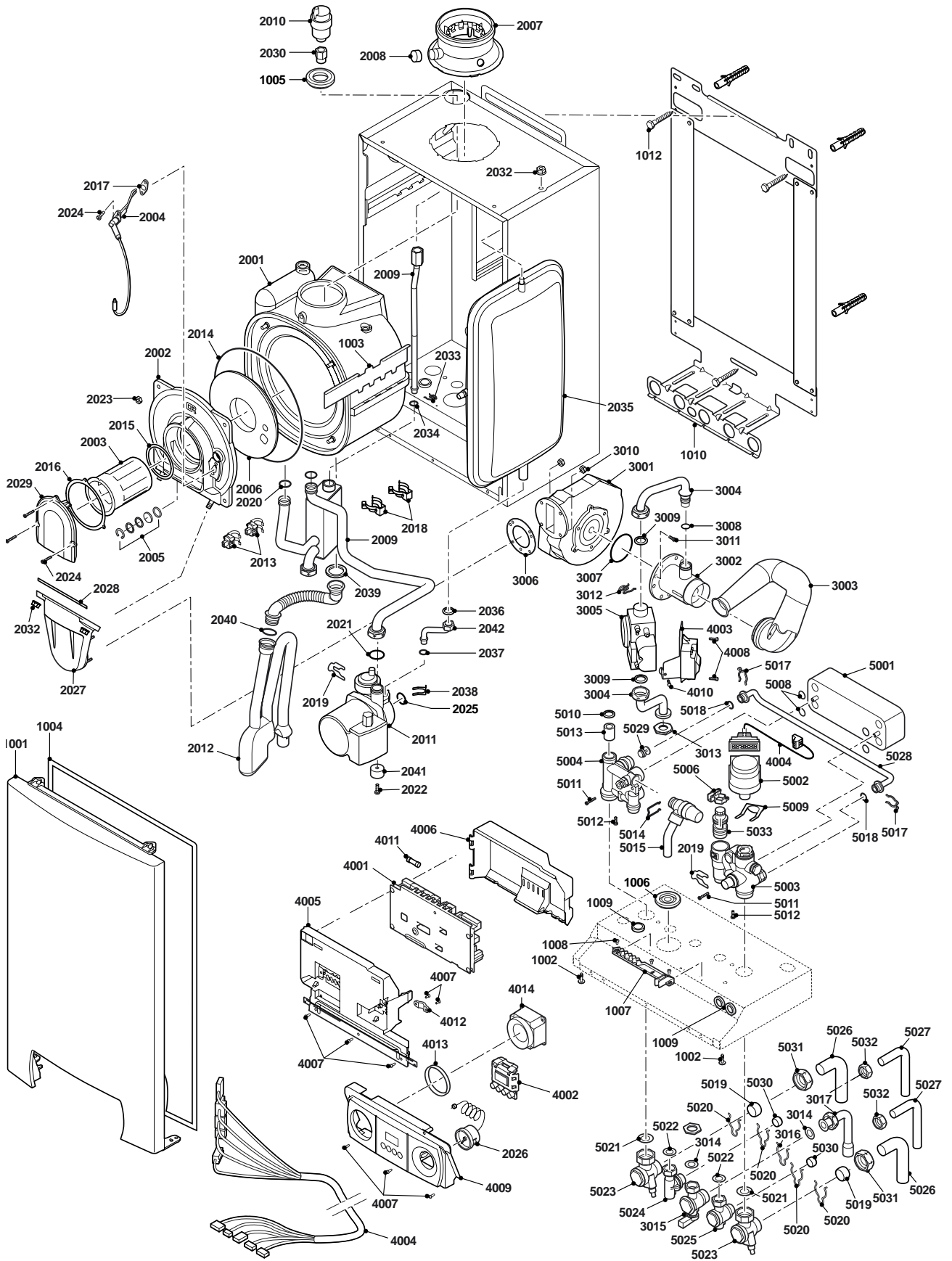
If, following the annual inspection or maintenance any part of the boiler is found to need replacing, use Remeha spare parts only or spare parts and materials recommended by Remeha.

If the component to be replaced is covered by the Remeha guarantee terms (see the Remeha General Terms of Sale and Delivery) send the component to the Remeha Quality department. Always enclose a fully completed return form, see example below. This will enable Remeha to meet its guarantee obligations more quickly and efficiently.

The enclosed (returned) component comes from boiler:	model*	year/day/serialnr.*	
	<i>Avanta Plus 24s</i>	<i>05 094 000 000 087</i>	
Installation date of the boiler	<i>June 2005</i>		
Description (returned) component	sort	Brand	type
	<i>Three-way valve</i>	<i>Elbi</i>	<i>VC 1650/1000</i>
Problem description	<i>motor does not respond</i>		
Description (returned) component	sort	Brand	type
Problem description			
Description (returned) component	sort	Brand	type
Problem description			
Your details			
Company name	<i>Smit</i>		
Address	<i>Londonstreet 1, London</i>		
Telephone			
Reference	<i>Mr. Johnson</i>		
Your order number	<i>530002004</i>		
Job number	<i>-</i>		
Project number	<i>14 (Canal flats)</i>		

table 13 Return form example

* These details can be found on the boiler type plate; the type plate is stuck to the bottom of the boiler.



Break down parts kit		
Part No	Description	Position
S62743	Electrode ignition/ionisation	2004
S62728	Vent auto air bleed device	2010
S62746	Pump for 24s and 28c	2011
S62747	Pump for 35c and 39c	2011
S58733	Sensor temperature (2 pcs.)	2013
S62733	Gauge pressure c/w capillary	2026
S58684	Fan assembly 24VDC	3001
S58685	Gas combination block	3005
S62734	Control board	4001
S62739	Display print board	4002
S62750	Transformer ignition	4003
S43561	Fuse glass 2 amp slow (10 pcs.)	4011
S59132	Actuator three way valve	5002
S59133	Sensor DHW flow	5006
S62763	Safety pressure relief valve with pipe	5015
S62781	Flowswitch + hall sensor	5033

table 14 Break down parts kit

6 EC DECLARATION

EC – DECLARATION OF CONFORMITY

Manufacturer : Remeha B.V.
Address : Kanaal Zuid 110
Town, Country : Postbus 32, NL-7300 AA Apeldoorn

- hereby declares that the appliance(s) : Remeha Avanta Plus

comply / complies with the specifications of the following EEC directives:

EEG Directive:	90/396/EEG	applied standards:
		(pr)EN 297(1994), 483(1999), 625(1995), 677(1998)
	73/23/EEG	(pr)EN 50165(1997), 60335-1(1994)
	92/42/EEG	
	89/336/EEG	EN 50165(1997), 55014-1(2000), 55014-2(1997) EN 61000-3-2(2000), 61000-3-3(1995)
	97/23/EG (Art.3, sub 3)	

Apeldoorn, July 2005



W.F. Tjihuis
Approval Manager

7 REGULATIONS

7.1 EC regulations

The boiler meets the requirements of the EC regulations at the following directives:

- 90/396/EEC Gas appliances directive
- 92/42/EEC Efficiency directive
- 73/23/EEC Electrical low voltage directive
- 89/336/EEC EMC directive
- 97/23/EEC Pressure equipment directive (art. 3, sub. 3)

Classification type for evacuation of the combustion products; according EN 483

7.2 Remeha factory test

Before it leaves the factory, each Remeha Avanta Plus boiler is optimally adjusted and tested for:

- electrical safety;
- CO₂- adjustment;
- hot water function
- water tightness;
- gas tightness;
- automation parameters.

7.3 Additional guidelines

In addition to the regulations and guidelines as mentioned in par.7.1 the following guidelines in this documentation should also be observed.

It applies for all regulations and guidelines, mentioned in this Installation and Service manual, that any additions or new regulations and guidelines at the time of installation will also apply.

8 TECHNICAL SPECIFICATIONS AND WORKING PRINCIPLE

8.1 Technical data

Appliance type Remeha Avanta Plus		24s system	28c combi	35c combi	39c combi
General					
Gas council numbers	-	41-288-05	47-673-02	47-673-03	47-673-04
Boiler control		modulating or on/off			
Nominal output P_n (80/60°C) (CH)	kW	21.6	21.6	29.4	33.3
Nominal output P_n (50/30°C) (CH)	kW	23.0	23.0	31.3	35.5
Nominal input Q_n Hi	kW	5.8 - 22	5.8 - 22	6.1 - 30	6.3 - 34
Nominal input Q_{nw} Hi	kW	-	28.0	35.0	39.0
Assembly dry weight	kg	29.0	30.5	32	34.5
Noise level at distance of 1m from the boiler (at full load)	dB(A)	< 44			
Gas and flue details					
Classification due to discharging flue gases	-	C13, C33, C83			
Gas type permitted	-	II _{2H3P} (natural gas and propane) *			
Gas inlet pressure natural gas	mbar	20 - 30			
Gas consumption natural gas maximum	m _n ³ /h	2.3	3.0	3.5	3.9
Gas flue rate	kg/h	37	47	57	62
Gas inlet pressure propane	mbar	37 - 50			
Gas consumption propane maximum	m _n ³ /h	0.85	1.2	1.3	1.6
NO _x Class ²⁾	-	5 ¹⁾			
NO _x annual emission (n = 1)	ppm	< 30			
	mg/kWh	< 53			
Residual fan duty (full load)	Pa	50	100	100	140
CH side					
Water capacity heat exchanger and piping	l	1.8	1.8	2.0	2.2
Expansion vessel size	l	8			
Minimum operating water pressure	bar	1			
Maximum operating water pressure P_{MS}	bar	2.5			
Water temperature maximum	°C	110			
Operating temperature maximum	°C	95			
Residual head ΔT = 20°C	mbar	> 250	> 250	> 250	> 200
Domestic hot water side ²⁾					
Tap capacity D (ΔT = 35°C)	l/min	-	11.4	14.2	15.9
Minimum tap flow	l/min	-	1.2	1.2	1.2
Operating pressure P_{MW} min. - max.	bar	-	0.5 - 8	0.5 - 8	0.5 - 8
Water resistance (nom. output) incl. flow restrictor	bar	-	1.3	-	-
Water resistance (nom. output) excl. flow restrictor	bar	-	0.1	0.1	0.1
Electrical					
Main supply	V/Hz	230 / 50			
Power consumption W maximum	W	115	115	150	180
in stand-by status	W	< 3			
Degree of protection	IP	X4D			

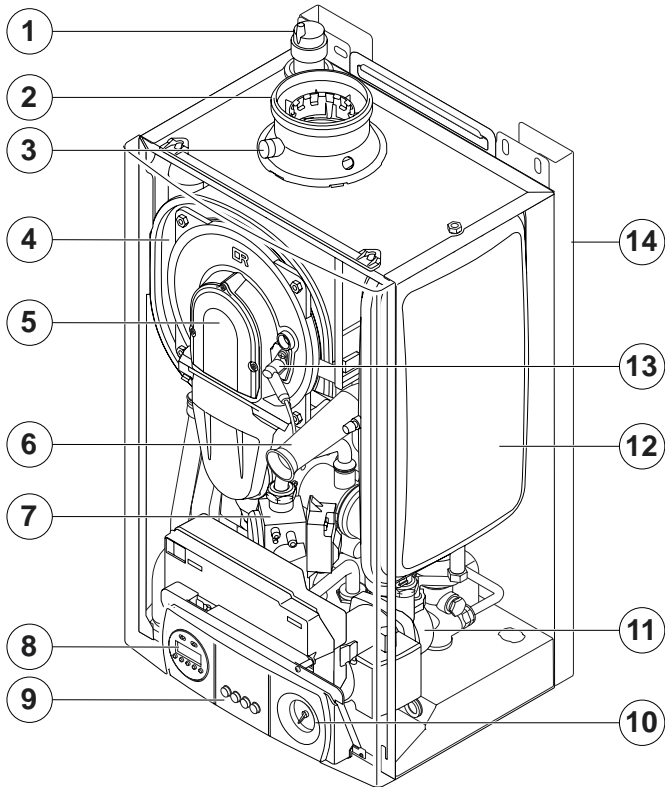
table 15 Summary of technical data

¹⁾ Measured according EN 483 (Class 5 complies with a limited concentration of NO_x < 70 mg/kWh)

²⁾ This data applies for natural gas.

* For 39c a propane kit is required.

8.2 The boiler components



LT.AL.W7H.000.202

1. Automatic air vent
2. Flue / Air inlet connection
3. Flue gas measuring point
4. Heat exchanger
5. Front plate heat exchanger
6. Air inlet tube
7. Gas combination block
8. Two channel time clock (optional)
9. Control panel
10. Pressure gauge
11. Circulation pump
12. Expansion vessel
13. Ignition/ionization electrode
14. Stand off frame (optional)

8.3 Working principle

The Remeha Avanta Plus casing serves as a sealed air box, with air drawn in by the fan. On the outlet side of the fan is a venturi, into which a measured quantity of gas is injected based on the volume of air available. The fan speed control is dependent on the settings of the external control, the advanced boiler controller 'abc®' and the prevailing temperatures (measured by the temperature sensors).

This method of gas/air ratio control ensures that the gas quantity is precisely adjusted to the air quantity. Thus creating optimum combustion over the whole heat input range. The gas and air is mixed in the venturi and then passes into the specially designed pre-mix burner. After combustion, the hot flue gas is directed through a specially designed, high efficiency helicoil stainless steel heat exchanger with a large surface area, and transfers it's heat to the system water circulating around the coils. In the condensing part of the exchanger the water vapour in the flue gas condenses within it and the heat released during this process (the so-called latent or condensing heat) is also transferred to the system water. The condensate water so formed is discharged from the heat exchanger via a siphon.



In normal operation, the boiler's flue gas discharge will produce a visible white condensing "plume" and therefore care should be taken when choosing a location for the terminal.

Combi boiler operation

The Remeha Avanta Plus 28c, 35c and 39c are combination boilers with an integral plate heat exchanger providing instant domestic hot water. On opening a hot water tap, detected by a flow sensor, which is located on the cold water inlet side of the heat exchanger detects the demand. This sensor then activates the motorised three-way valve to divert primary flow to the plate heat exchanger which raises the temperature of the cold water supply by a minimum of 35°C to provide domestic hot water. Once the demand for hot water stops the motorised valve automatically returns to the DHW position. This three-way valve is electrically controlled by the 'abc[®]' control and only consumes power when it is changing to a different position.

The plate heat exchanger is protected from debris by two filters one in the cold water supply and one in the primary flow to the diverting valve – Note: the primary flow filter self cleans when the flow reverts back to heating mode.

System boiler operation

The Remeha Avanta Plus 24s the same design and layout as the combi range without the DHW components (three way valve and plate heat exchanger).

8.3.1 Regulating

The Remeha Avanta Plus is a fully modulating boiler and can be regulated using one or more of the following methods;

1. Open Therm – 2 wire interface compatible with the Remeha Celcia 15 room compensator and the Remeha Celcia 20 outside weather compensator or with any other proprietor's OpenTherm[®] controls.
2. Open Therm thermostat in combination with an external time clock.
3. On/Off room thermostat – volt free (on the X9 terminal strip).
4. On/Off room thermostat – 230 V (on the X2 terminal strip).
5. 230 V Switching time clock - compatible with the Remeha two channel time clock or with any other proprietor's time clock. For further details see *par. 2.8*.

8.3.2 Advanced boiler control ('abc[®]'-control)

An intelligent advanced boiler control ('abc[®]') continuously monitors the boiler conditions and ensures a very reliable supply of heat. This control system is adept at dealing with negative influences from the system such as flow reduction, airflow problems and alike. In the event of such influences, the boiler will not go to "lock-out" failure mode, but will in the first instance modulate back, and if necessary, depending on the nature of the circumstances, will temporarily switch off (shut-down or control stop), and then after a short while simply try again.



Provided that the situation is not actually hazardous, the Remeha Avanta Plus will always try to supply heat. The 'abc[®]'- control prevents unnecessary additional call outs.

8.3.3 Regulating the water temperature

The Remeha Avanta Plus is fitted with an electronic temperature regulator with flow and return temperature sensors. The flow temperature can be set to between 20 and 85°C, see 2.9.8 (factory setting 75°C) The boiler modulates its output up and down to match the flow set point from internal or external control. When the boiler is at its minimum output and the flow temperature still continues to rise, once the flow set point is exceeded by 5°C the boiler will shut down on a controlled stop (code $\boxed{9}$).

8.3.4 Low flow / water protection

The Remeha Avanta Plus has a low-water protection based on temperature readings. By modulating down as soon as there is a risk of an insufficient water flow, the boiler will keep working for as long as possible. An insufficient water flow, however caused, - indicated by a flow/return $\Delta t \geq 45^\circ\text{C}$ or a rate of rise in the flow temperature $> 1^\circ\text{C}/\text{sec}$ - will be sensed by the 'abc[®]' control which will shut the boiler down in a blocking mode with the display showing (code $\boxed{9}$) for 10 minutes and before re-starting.

If there is no water in the boiler or if the pump is not running, it will go to lock out (code $\boxed{E7}$) and require manual re-set.

8.3.5 High Limit temperature protection

If the flow temperature exceeds 110°C the high limit temperature protection device switches off the boiler in a lock out mode with the display showing (code $\boxed{E!}$) This mode will require a manual re-set.

When the fault is corrected, the boiler can be restarted by pressing the **reset**-key on the control panel and holding for 3 seconds.

9 EFFICIENCY DATA AND GAS EFFICIENCY LABELS

9.1 Annual efficiency

Up to 110.5 % in relation to Hi at a load of 30% and a return temperature of 30°C.

9.2 Water-side efficiency

Up to 98,3 % in relation to Hi at full load and an average water temperature of 70°C (80/60°C).

Up to 104.4 % in relation to Hi at full load and an average water temperature of 40°C (50/30°C).



SEDBUK 'A'



© Copyright

All technical and technological information contained in these technical instructions, as well as any drawings and technical descriptions furnished by us remain our property and may not be multiplied without our prior consent in writing.

112952-0906/AC Subject to alterations



112952

Broag Ltd.

Remeha House
Molly Millars Lane
RG41 2QP WOKINGHAM, Berks.
Tel: +44 118 9783434
Fax: +44 118 9786977
Internet: uk.remeha.com
E-mail: boilers@broag-remeha.com